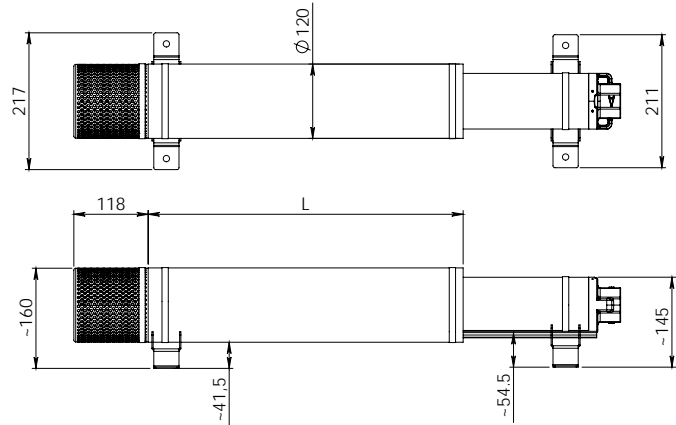


COOLING LINERS FOR 4" SUBMERSIBLE PUMP

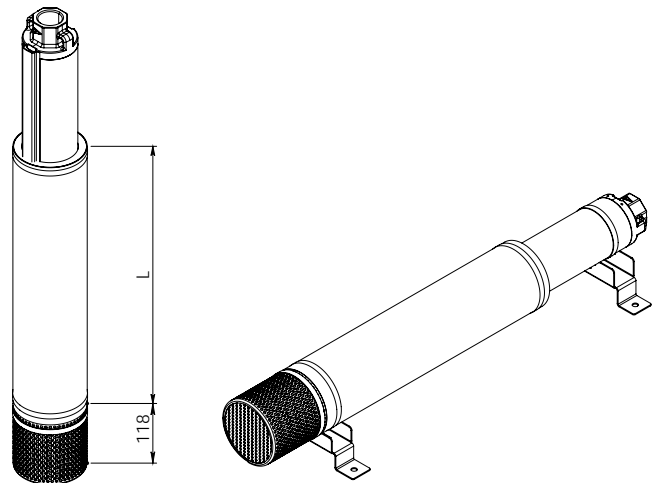
Kit of cooling liners of different lengths, used to ensure perfect cooling of the 4" motor in case of installation inside tanks or containers, or in any location where a minimum cooling flow on the motor cannot be guaranteed.

The length of the pipe must be selected based on the type of motor and its power, as indicated in the following table.

POWER SUPPLY 50 Hz	MOTOR POWER		MOTOR TYPE		
	HP	kW	4GG - 4GX	40L	4TW
SINGLE-PHASE	0,5	0,37	L400 PIPE KIT	L400 PIPE KIT	L525 PIPE KIT
	0,75	0,55			
	1	0,75			L885 PIPE KIT
	1,5	1,1	L525 PIPE KIT		
	2	1,5	L885 PIPE KIT	L525 PIPE KIT	
	3	2,2		L885 PIPE KIT	
	5	3,7	L885 PIPE KIT	L885 PIPE KIT	



THREE-PHASE	0,5	0,37	L400 PIPE KIT	L400 PIPE KIT
	0,75	0,55		
	1	0,75		
	1,5	1,1	L525 PIPE KIT	L525 PIPE KIT
	2	1,5		
	3	2,2	L885 PIPE KIT	L885 PIPE KIT
	4	3		
	5,5	4		
	7,5	5,5	L885 PIPE KIT	L885 PIPE KIT
10	7,5			



ACCESSORIES

SUBMERSIBLE ELECTRIC PUMPS AND MOTORS

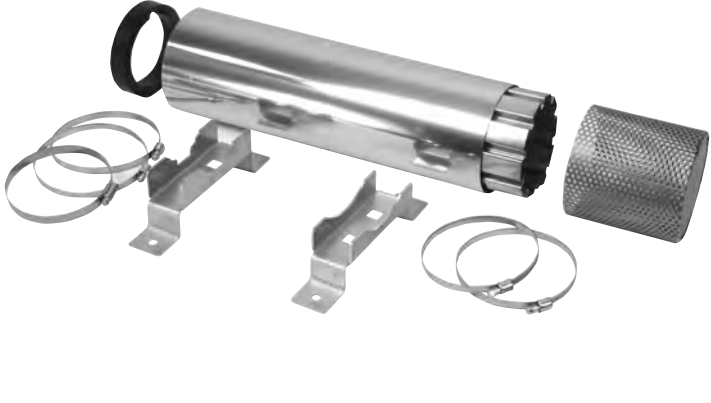
COOLING LINER KIT	DESCRIPTION	CS4	S4
	L400 COOLING PIPE KIT	•	•
	L525 COOLING PIPE KIT	•	•
	L885 COOLING PIPE KIT	•	•
	4" HORIZONTAL INST. SUPPORTS KIT (2 pieces)	•	•
	4" FILTER KIT	•	•

Photo of cooling pipe kit + Horizontal support kit + filter kit