

# FILTER HOUSING & CARTRIDGES



## GENERAL DATA

### Applications

Filter housings and filter cartridges for the removal of sediment for water. The transparent container allows the user to check the filter clogging level without opening the filter housing.

- \* Residential Homes
- \* Farming Applications
- \* Residential Irrigation
- \* Garden Irrigation Drip/Low Flow
- \* Hydroponics
- \* Rain Water Harvesting
- \* Water Supply from Shallow Wells

## TECHNICAL DATA

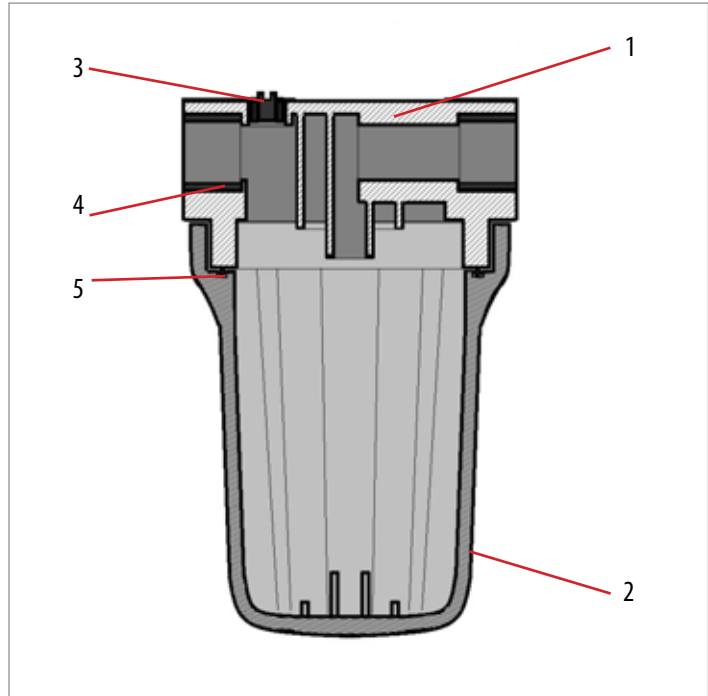
Operating Range:	1 to 30 gpm
Liquid quality requirements:	non viscous, non aggressive, non crystallized, chemically neutral, close to the characteristics of water
Liquid temperature Range:	From 32°F to 104°F
Maximum ambient temp.	104°F
Maximum operating pressure	116 psi
Installation:	fixed in a vertical position

# TECHNICAL DATA

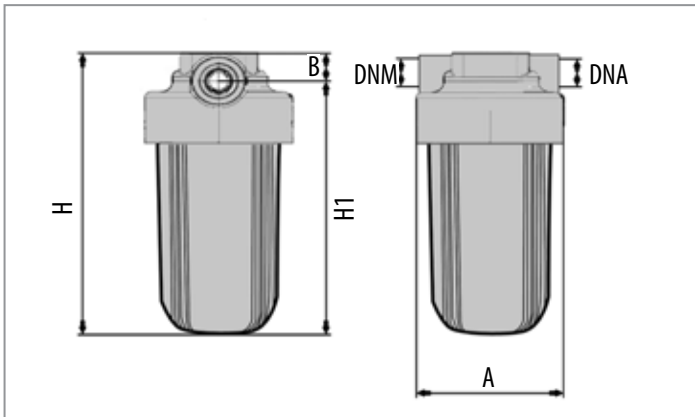
## MATERIALS

N°	PARTS*	MATERIALS
1*	TOP BODY	TECHNOPOLYMER
2*	FILTER HOUSING	CLEAR POLYCARBONATE
3*	PRESSURE RELIEF PLUG	BRASS
4	THREAD INSERTS	BRASS
5*	O RING GASKET	NBR

\* In contact with liquid



## DIMENSIONS



MODEL	FA 5 CLEAR	FA 10 CLEAR
A	4 <sup>3</sup> / <sub>4</sub> "	4 <sup>3</sup> / <sub>4</sub> "
B	1 <sup>1</sup> / <sub>8</sub> "	1 <sup>1</sup> / <sub>8</sub> "
H	7 <sup>1</sup> / <sub>2</sub> "	12"
H1	6 <sup>3</sup> / <sub>8</sub> "	10 <sup>5</sup> / <sub>8</sub> "
DNM	1 " NPT	1 " NPT
DNA	1 " NPT	1 " NPT
WEIGHT	1.6 lbs	2.2 lbs

## FILTER CARTRIDGE OPTIONS

MODEL	For Filter housing	Size	Filter type	micron
CF 5	FA 5	5"	string wound sediment filter	20
CF 10	FA 10	10"	string wound sediment filter	20
CRL 5	FA 5	5"	mesh washable sediment filter	60
CRL 10	FA 10	10"	mesh washable sediment filter	60