



NOVA



**NOVA 4100
POND & FOUNTAIN PUMP**

NOVA 4100

POND & FOUNTAIN PUMPS



TECHNICAL DATA

Operating range: from 1 to 3600gpm with head up to 31feet..

Pumped liquid temperature range: from +32 °F (0°C) to +95 °F (35°C).

Max. Submersion: 22ft

Protection class: IP 68.

Insulation class: F.

Installation: Vertical or horizontal.

Standard power input: single-phase 1 x 110-127 V~ 60 Hz.
single-phase 1 x 220-240 V~ 60 Hz.

Pumped liquid: clean water, without fibres and with particles with maximum diam. 0.393" (10 mm).

APPLICATIONS

Submersible pumps specifically designed for the recirculation of water in ponds, to create waterfalls and water features.

Suitable for continuous operation.

CONSTRUCTION FEATURES OF THE PUMP

Hydro resistant technopolymer pump body, wear-free impellers, cover, and suction grid. Corrosion and oxidation resistant materials.

CONSTRUCTION FEATURES OF THE MOTOR

Submersible type continuous duty asynchronous motor.

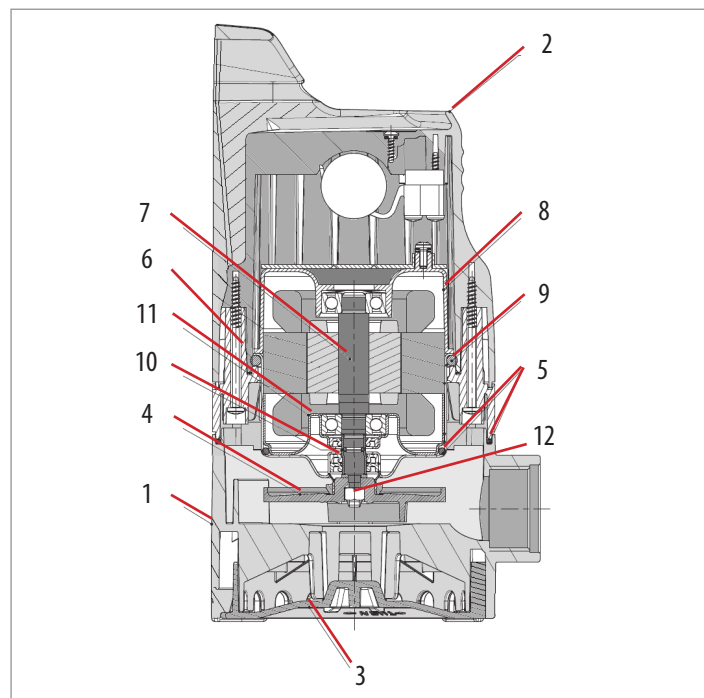
Thermal overload protection.

Wear-resistant motor shaft.

MATERIALS

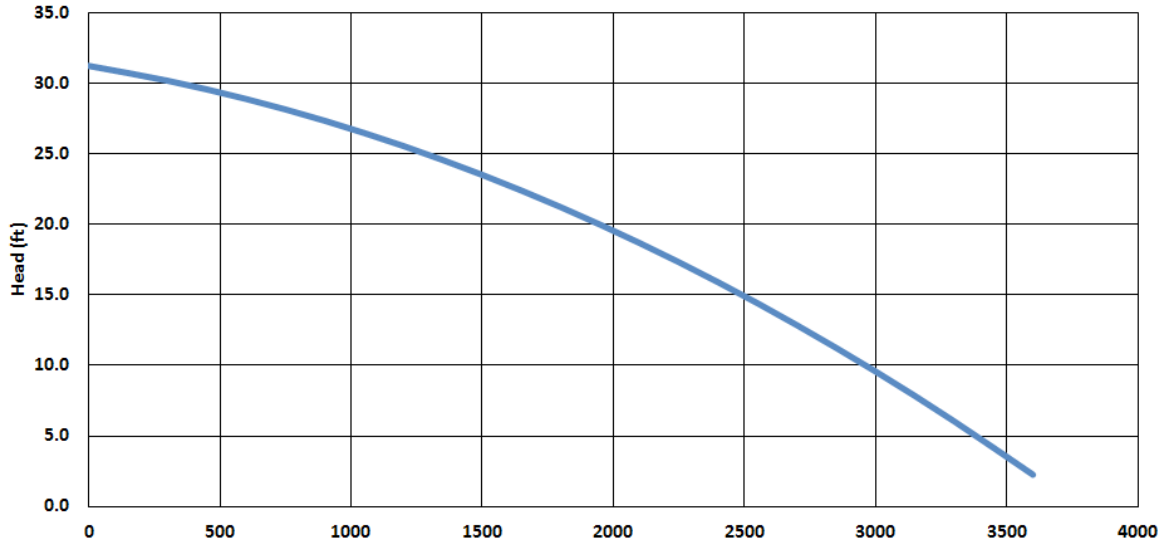
N°	PARTS*	MATERIALS
1	PUMP BODY	TECHNOPOLYMER
2	TOP BODY	TECHNOPOLYMER
3	PUMP BASE	TECHNOPOLYMER
4	IMPELLER	TECHNOPOLYMER
5	'O' RING	NBR 70
6	SPACER BODY	PP 30% GF NAT GRADE 6
7	ROTOR SHAFT	AISI 416 STAINLESS STEEL NI EN 10088-1 X12CRS13
8	UPPER MOTOR CASING	CAST ALUMINUM
9	'O' RING	NBR 70
10	TRIPLE LIP SEAL	NBR 70
11	LOWER MOTOR CASING	CAST ALUMINUM
12	LOCK NUT	STAINLESS STEEL 316 DIN 982

* In contact with liquid



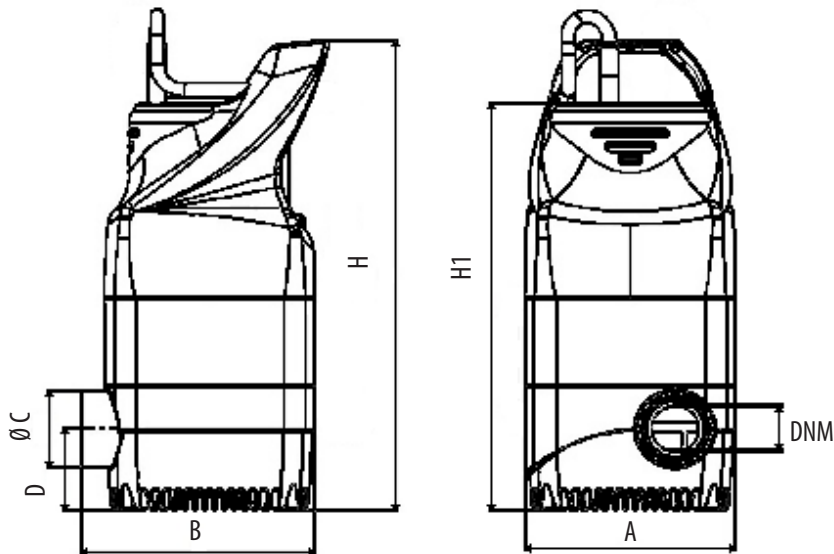
NOVA 4100 - POND & FOUNTAIN PUMPS

Pumped liquid temperature range: from +32 °F to +95°F



MODEL	Q=gph	0	300	600	900	1200	1500	1800	2100	2400	2700	3000	3300	3600
NOVA 4100	H (ft)	31.2	30.2	28.9	27.3	25.6	23.5	21.2	18.7	15.9	12.9	9.6	6.0	2.3

MODEL	POWER INPUT 60 Hz	P1 Max		P2		In A	Max Submersion
		HP	W	HP	W		
NOVA 4100	1 x 115~	0.9	670	0.5	380	7.1	22 ft
NOVA 4100	1 x 230~	0.9	670	0.5	380	3.2	22 ft



MODEL	A	B	ØC	D	H	H1	DNM GAS	PACKING DIMENSIONS			CABLE LENGHT	WEIGHT lbs	PALLET QTY
								L	B	H			
NOVA 4100 16'	5.512	6.102	2.087	2.205	12.795	11.024	1" ¼	7.598	7.598	14.764	16 ft	14.8	72
NOVA 4100 100'	5.512	6.102	2.087	2.205	12.795	11.024	1" ¼	7.598	7.598	14.764	100 ft	15.9	72

DNA[®]

PUMPS SELECTOR



On-line selection tool



DAB PUMPS LTD.

Unit 4 and 5, Stortford Hall Industrial Park,
Dunmow Road,
Bishops Stortford,
Herts
CM23 5GZ - UK
salesuk@dwtgroup.com
Tel. +44 1279 652 776
Fax +44 1279 657 727



DAB PUMPS B.V.

Brusselstraat 150
B-1702 Groot-Bijgaarden - Belgium
info.belgium@dwtgroup.com
Tel. +32 2 4668353
Fax +32 2 4669218



DAB PUMPS B.V.

Albert Einsteinweg, 4
5151 DL Drunen - Nederland
info.netherlands@dwtgroup.com
Tel. +31 416 387280
Fax +31 416 387299



DAB PUMPEN DEUTSCHLAND GmbH

Tackweg 11
D - 47918 Tönisvorst - Germany
info.germany@dwtgroup.com
Tel. +49 2151 82136-0
Fax +49 2151 82136-36



DAB PUMPS IBERICA S.L.

Avenida de Castilla nr.1 Local 14
28830 - San Fernando De Henares - Madrid
Spain
info.spain@dwtgroup.com
Tel. +34 91 6569545
Fax: +34 91 6569676



DAB PRODUCTION HUNGARY KFT.

H-8800
Nagykanizsa, Buda Ernő u.5
Hungary
Tel. +36 93501700



DAB PUMPS POLAND Sp. z o.o.

Mokotow Marynarska
ul. Postępu 15C
02-676 Warszawa - Poland
Tel. +48 223 81 6085



DAB UKRAINE Representative Office

Regus Horizon Park
4 M. Hrinchenka St, suit 147
03680 Kiev - Ukraine
Tel. +38 044 391 59 43



OOO DAB PUMPS

Novgorodskaya str. 1, block G
office 308, 127247, Moscow - Russia
info.russia@dwtgroup.com
Tel. +7 495 122 0035
Fax +7 495 122 0036



DAB PUMPS INC.

3226 Benchmark Drive
Ladson, SC 29456 - USA
info.usa@dwtgroup.com
Tel. 1-843-797-5002
Fax 1-843-797-3366



DWT SOUTH AFRICA

Podium at Menlyn,
3rd Floor, Unit 3001b, 43 Ingersol Road,
C/O Lois and Atterbury street,
Menlyn, Pretoria, 0181 - South-Africa
info.sa@dwtgroup.com
Tel. +27 12 361 3997
Fax +27 12 361 3137



DAB PUMPS CHINA

No.40 Kaituo Road, Qingdao Economic & Technological
Development Zone
Qingdao City, Shandong Province - China
PC: 266500
info.china@dwtgroup.com
Tel. +8653286812030-6270
Fax +8653286812210



DAB PUMPS DE MÉXICO, S.A. DE C.V.

Av. Gral Álvaro Obregón 270, oficina 355
Hipódromo, Cuauhtémoc 06100
México, D.F.
Tel. +52 55 6719 0493