

JET 50-75-100

SELF-PRIMING JET PUMPS



TECHNICAL DATA

Operating range:

capacity up to 23 gpm; head up to 213 ft (92 psi)

Liquid quality requirements: clean, free from solid or abrasive contaminants, non-viscous, non-aggressive, uncrystallised and chemically neutral.

Liquid temperature range: from 32°F to +95°F for domestic use
for other use: from 32°F to +104°F

Maximum suction depth: 29 ft

Maximum ambient temperature: +122°F

Maximum pressure: 115 psi

Motor range: 1/2Hp , 3/4 Hp, 1Hp

Standard input voltage: single phase 115/230 V - 60 Hz Dual Voltage
three phase 230/400 V - 60 Hz

Insulation class: F

Installation: Horizontal fixed position

Approvals: CSA certification to

CSA Standard C22.2 No 108- 14 Liquid Pumps.

UL Standard 778- 5th Edition- Motor operated water pumps

Versions on request: Available with-out Pressure switch

APPLICATIONS

Self priming centrifugal pump with optimal liquid aspiration even in the presence of air bubbles.

Suitable for pumping water with low levels of sandy impurities.

Especially used in domestic water supply installations. Suitable for small farms and gardening, small scale industrial services and where self priming is necessary.

CONSTRUCTIONAL FEATURES OF THE PUMP

Cast-iron motor frame and pump body.

Motor frame in die cast aluminium.

Impeller, diffuser, venturi tube and sand filter in technopolymer

Stainless steel shim washers.

Carbon/ceramic mechanical seals.

CONSTRUCTIONAL FEATURES OF THE MOTOR

Asynchronous type, closed, with external air cooling.

Rotor mounted on oversized greased-for-life ball bearings, to guarantee low noise and long life.

Incorporated thermo-amperometric protection and permanently inserted condenser in the single phase version.

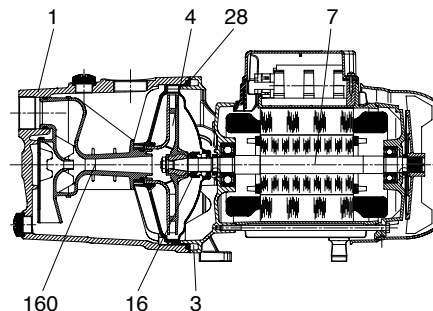
It is recommended to use overload protection for three phase motor protection, in compliance with current legislation.

Manufactured pursuant to CEI 2-3 and CEI 61-69 (EN 60335-2-41).

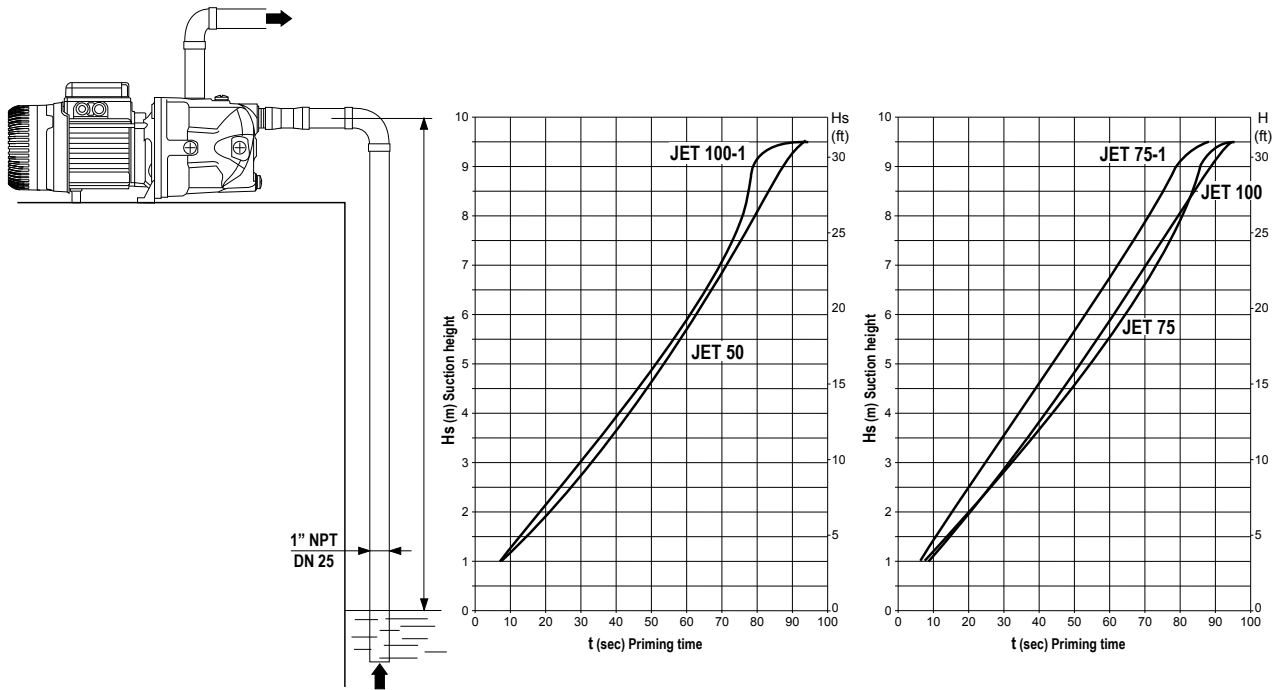
MATERIALS

N°	PARTS *	MATERIALS
1	PUMP BODY	200 UNI ISO 185 CAST IRON
3	FRAME	DIE CAST ALUMINIUM
4	IMPELLER	TECHNOPOLYMER A
7	SHAFT WITH ROTOR	AISI 416 STAINLESS STEEL X12 CrS13 - UNI 6900/71
16	MECHANICAL SEAL	CARBON/CERAMIC
28	OR GASKET	NBR RUBBER
160	VENTURI DIFFUSER NOZZEL GROUP	TECHNOPOLYMER A

* In contact with liquid



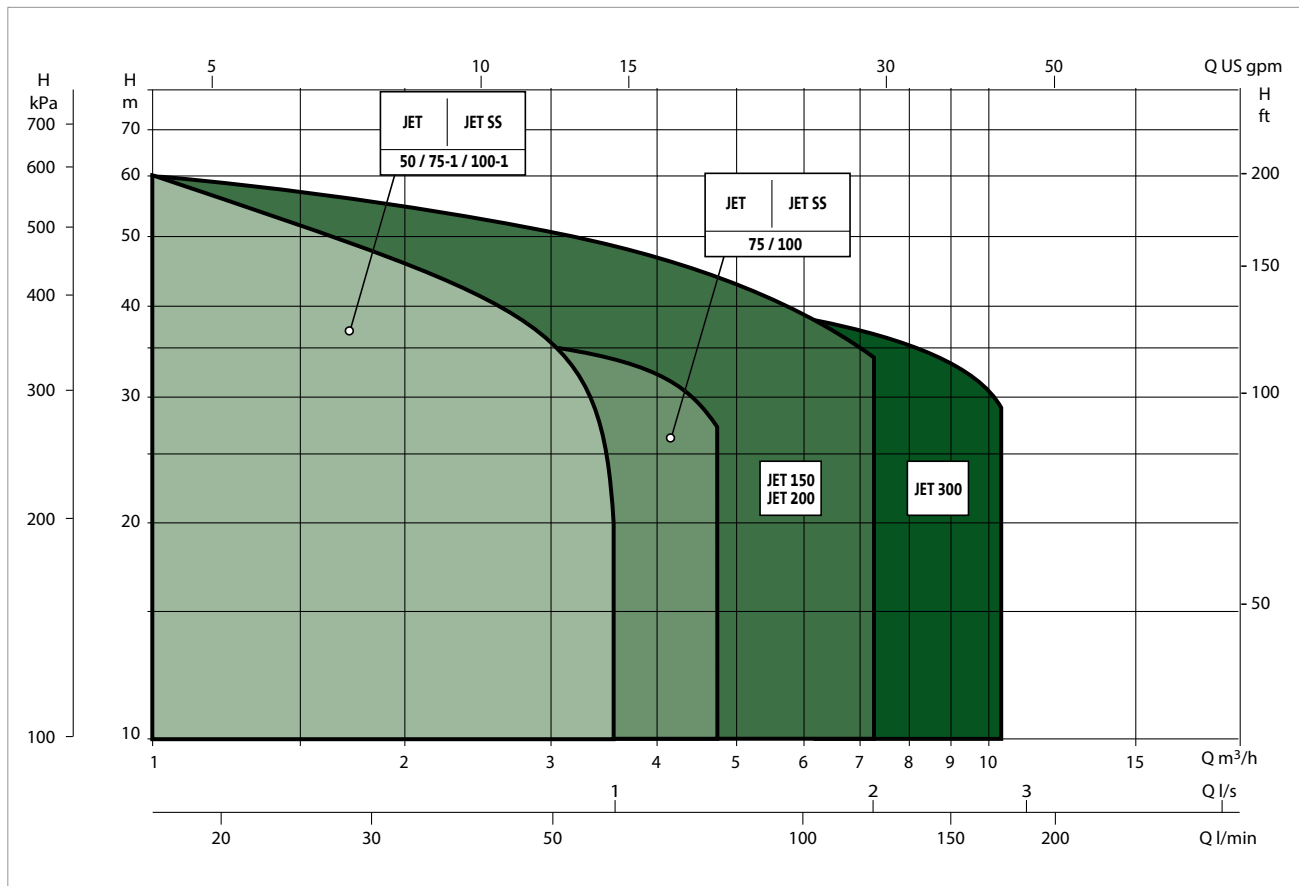
SELF PRIMING CAPABILITY



PERFORMANCE RANGE

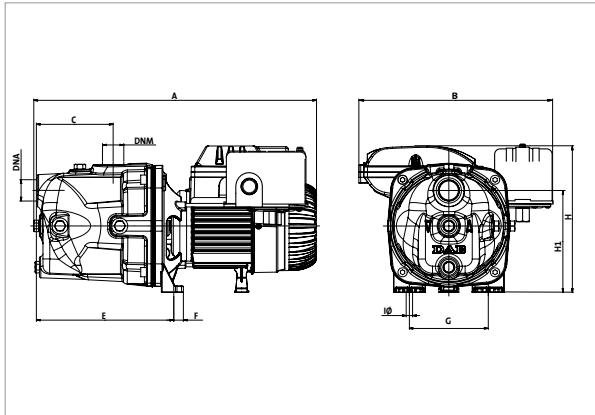
The performance curves are based on kinematic viscosity values = 1 mm²/s and density equivalent to 1000 kg/m³. Curve tolerance according to ISO 9906.

GRAPHIC SELECTION TABLE

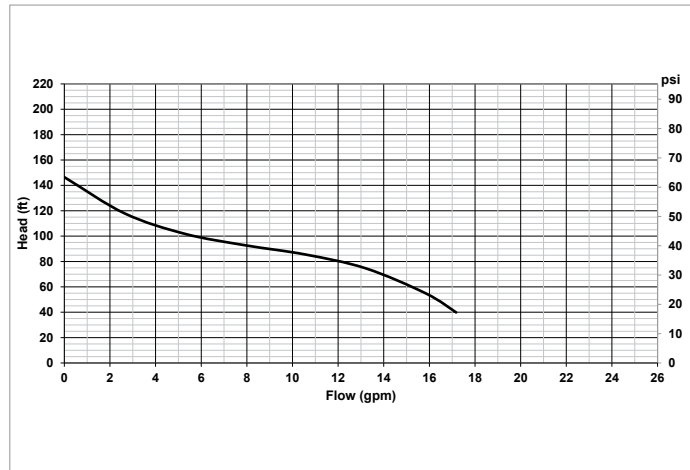


JET 50- SELF-PRIMING CENTRIFUGAL ELECTRIC PUMPS FOR DOMESTIC WATER SUPPLY

Liquid temperature range pumped: from 32°F to +104°F - Maximum ambient temperature: 122°F



The performance curves are based on the kinematic viscosity values = 1 mm²/s and density equivalent to 1000 kg/m³. Curve tolerance according to ISO 9906.

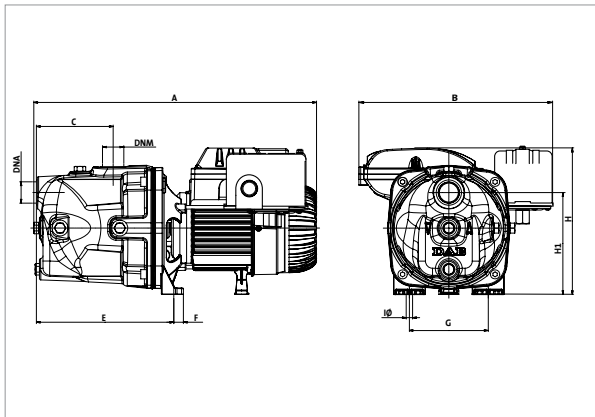


MODEL	ELECTRICAL DATA						
	POWER SUPPLY 60 Hz	kW	HP	SERVICE FACTOR	RPM	In Amps	
						110v	230v
JET 50 - PS	1x110-230 V ~	0.6	½	1.6	3400	8.21	4.22

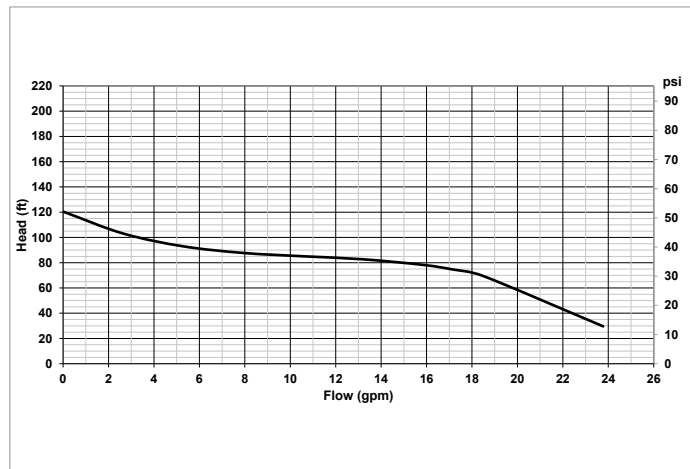
MODEL	A	B	C	E	F	G	H	H1	I Ø	DNA NPT	DNM NPT	PACK DIMENSIONS			VOLUME (Cu Ft)	GROSS WEIGHT Lbs
												L/A	L/B	H		
JET 50 - PS	15.67	10.35	4.25	7.56	0.55	4.37	8.11	5.67	0.35	1"	1"	18.7	14.0	10.6	1.61	26.24

JET 75 - SELF-PRIMING CENTRIFUGAL ELECTRIC PUMPS FOR DOMESTIC WATER SUPPLY

Liquid temperature range pumped: from 32°F to +104°F - Maximum ambient temperature: 122°F



The performance curves are based on the kinematic viscosity values = 1 mm²/s and density equivalent to 1000 kg/m³. Curve tolerance according to ISO 9906.

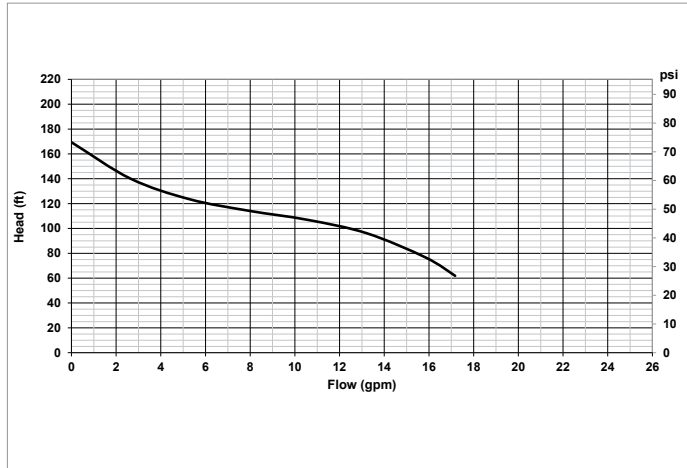
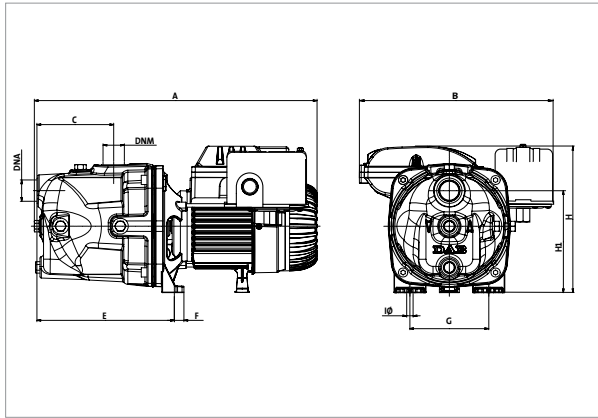


MODEL	ELECTRICAL DATA						
	POWER SUPPLY 60 Hz	kW	HP	SERVICE FACTOR	RPM	In Amps	
						110v	230v
JET 75 - PS	1x110-230 V ~	0.75	¾	1.4	3400	8.55	4.33

MODEL	A	B	C	E	F	G	H	H1	I Ø	DNA NPT	DNM NPT	PACK DIMENSIONS			VOLUME (Cu Ft)	GROSS WEIGHT Lbs
												L/A	L/B	H		
JET 75 - PS	15.67	10.35	4.25	7.56	0.55	4.37	8.11	5.67	0.35	1"	1"	18.7	14.0	10.6	1.61	26.24

JET 75-1 - SELF-PRIMING CENTRIFUGAL ELECTRIC PUMPS FOR DOMESTIC WATER SUPPLY

Liquid temperature range pumped: from 32°F to +104°F - Maximum ambient temperature: 122°F



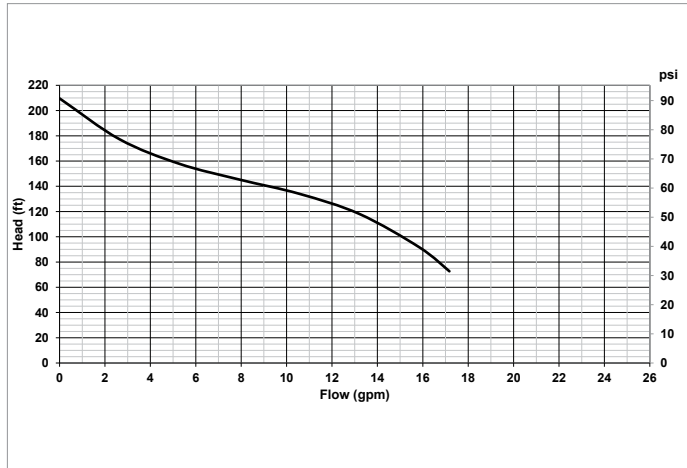
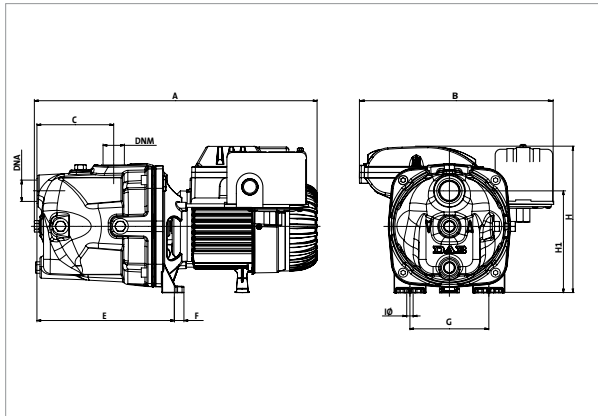
The performance curves are based on the kinematic viscosity values = 1 mm²/s and density equivalent to 1000 kg/m³. Curve tolerance according to ISO 9906.

MODEL	ELECTRICAL DATA						
	POWER SUPPLY 60 Hz	kW	HP	SERVICE FACTOR	RPM	In Amps	
						110v	230v
JET 75-1 - PS	1x110-230 V ~	0.75	¾	1.4	3400	10.3	5.25

MODEL	A	B	C	E	F	G	H	H1	I Ø	DNA NPT	DNM NPT	PACK DIMENSIONS			VOLUME (Cu Ft)	GROSS WEIGHT Lbs
												L/A	L/B	H		
JET 75-1 - PS	15.67	10.35	4.25	7.56	0.55	4.37	8.11	5.67	0.35	1"	1"	18.7	14.0	10.6	1.61	26.24

JET 100-1 SELF-PRIMING CENTRIFUGAL ELECTRIC PUMPS FOR DOMESTIC WATER SUPPLY

Liquid temperature range pumped: from 32°F to +104°F - Maximum ambient temperature: 122°F



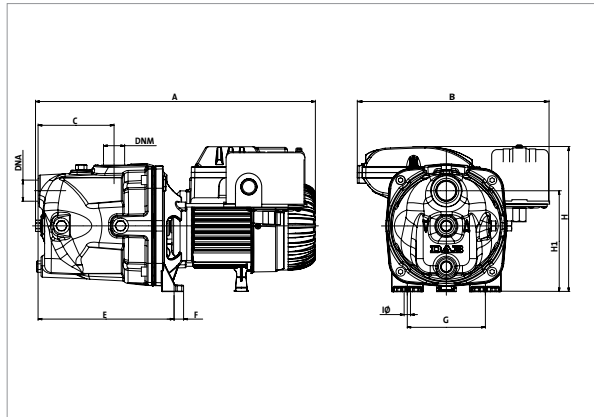
The performance curves are based on the kinematic viscosity values = 1 mm²/s and density equivalent to 1000 kg/m³. Curve tolerance according to ISO 9906.

MODEL	ELECTRICAL DATA						
	POWER SUPPLY 60 Hz	kW	HP	SERVICE FACTOR	RPM	In Amps	
						110v	230v
JET 100-1 - PS	1x110-230 V ~	1	1	1.35	3400	13.9	7.2

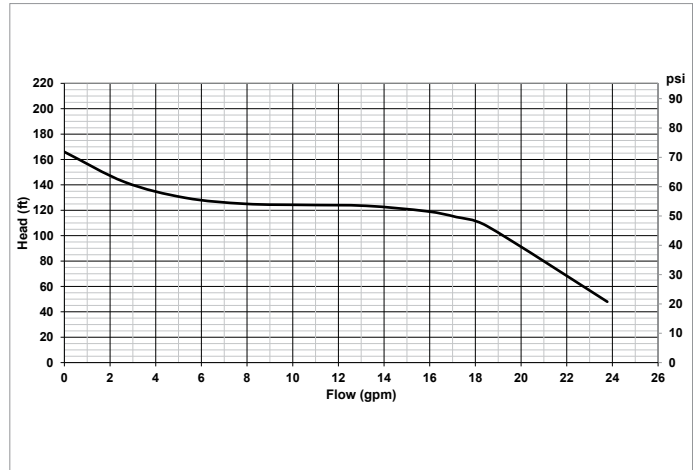
MODEL	A	B	C	E	F	G	H	H1	I Ø	DNA NPT	DNM NPT	PACK DIMENSIONS			VOLUME (Cu Ft)	GROSS WEIGHT Lbs
												L/A	L/B	H		
JET 100-1 - PS	16.46	10.35	4.25	7.56	0.55	4.37	8.50	5.67	0.35	1"	1"	18.7	14.0	10.6	1.61	30.20

JET 100 - SELF-PRIMING CENTRIFUGAL ELECTRIC PUMPS FOR DOMESTIC WATER SUPPLY

Liquid temperature range pumped: from 32°F to +104°F - Maximum ambient temperature: 122°F



The performance curves are based on the kinematic viscosity values = 1 mm²/s and density equivalent to 1000 kg/m³. Curve tolerance according to ISO 9906.

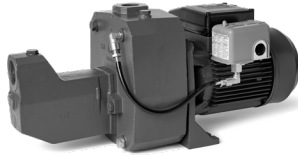


MODEL	ELECTRICAL DATA						
	POWER SUPPLY 60 Hz	kW	HP	SERVICE FACTOR	RPM	In Amps	
						110v	230v
JET 100 - PS	1x110-230 V ~	1	1	1.35	3400	13.9	7.52

MODEL	A	B	C	E	F	G	H	H1	I Ø	DNA NPT	DNM NPT	PACK DIMENSIONS			VOLUME (Cu Ft)	GROSS WEIGHT Lbs
												L/A	L/B	H		
JET 100 - PS	16.46	10.35	4.25	7.56	0.55	4.37	8.50	5.67	0.35	1"	1"	18.7	14.0	10.6	1.61	30.20

JET 150-200-300

SELF-PRIMING CENTRIFUGAL ELECTRIC PUMPS



JET 151-200



JET 300

TECHNICAL DATA

Operating range:

capacity up to 47 gpm; head up to 218 ft (94 psi)

Liquid quality requirements: clean, free from solid or abrasive contaminants, non-viscous, non-aggressive, uncrystallised and chemically neutral.

Liquid temperature range: from 32°F to +95°F for domestic use
for other use: from 32°F to +104°F

Maximum suction depth: 29 ft

Maximum ambient temperature: +122°F

Maximum pressure: 115 psi

Motor range: 1/2Hp , 3/4 Hp, 1Hp

Standard input voltage: single phase 230 V - 60 Hz
three phase 230/400 V - 60 Hz

Insulation class: F

Installation: Horizontal fixed position

Approvals: CSA certification to

CSA Standard C22.2 No 108- 14 Liquid Pumps.

UL Standard 778- 5th Edition- Motor operated water pumps

Versions on request: Available with-out Pressure switch

APPLICATIONS

Self priming centrifugal pump with optimal liquid aspiration even in the presence of air bubbles.

Suitable for pumping water with low levels of sandy impurities.

Especially used in domestic water supply installations.

Suitable for small farms and gardening, small scale industrial services and where self priming is necessary.

CONSTRUCTIONAL FEATURES OF THE PUMP

Cast-iron motor frame and pump body.

Impeller, diffuser, venturi tube and sand filter in technopolymer

Twin impeller on the JET 150 and 200 versions.

Stainless steel shim washers.

Carbon/ceramic mechanical seals.

CONSTRUCTIONAL FEATURES OF THE MOTOR

Asynchronous type, closed, with external air cooling.

Rotor mounted on oversized greased-for-life ball bearings, to guarantee low noise and long life.

Incorporated thermo-amperometric protection and permanently inserted condenser in the single phase version.

It is recommended to use overload protection for three phase motor protection, in compliance with current legislation.

Manufactured pursuant to CEI 2-3 and CEI 61-69 (EN 60335-2-41).

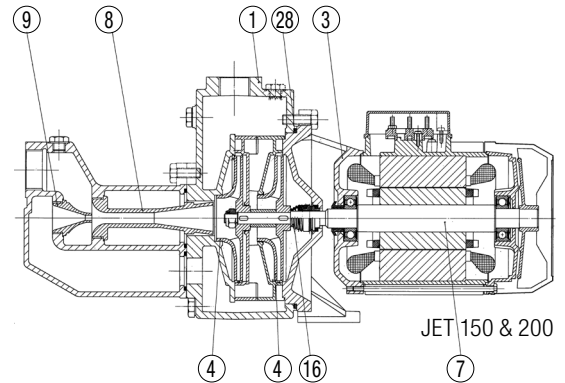
JET 150-200-300

SELF-PRIMING CENTRIFUGAL ELECTRIC PUMPS

MATERIALS

N°	PARTS*	MATERIALS
1	PUMP BODY	GJL 200 UNI EN 1561 CAST IRON
3	FRAME	GJL 200 UNI EN 1561 CAST IRON
4	IMPELLER	PPO-GF 20 (Noryl™)
7	SHAFT WITH ROTOR	AISI 303 STAINLESS STEEL X8CrNiS18-9 UNI EN 10088 (UNI 6900: 71)
8-9	VENTURI DIFFUSER NOZZLE GROUP	PPO-GF 20 (Noryl™)
16	MECHANICAL SEAL	CARBON/CERAMIC
28	OR GASKET	NBR RUBBER

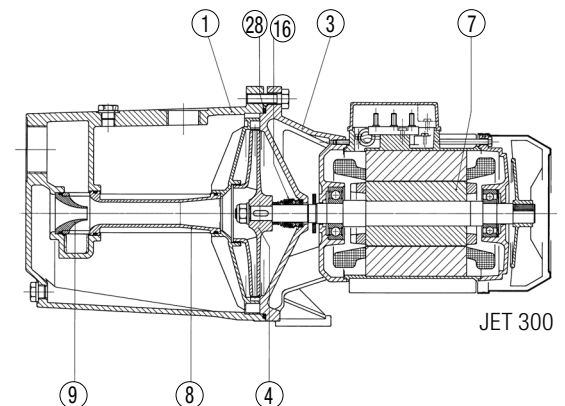
* In contact with liquid



MATERIALS

N°	PARTS*	MATERIALS
1	PUMP BODY	GJL 200 UNI EN 1561 CAST IRON
3	FRAME	GJL 200 UNI EN 1561 CAST IRON
4	IMPELLER	PPO-GF 20 (Noryl™)
7	SHAFT WITH ROTOR	AISI 303 STAINLESS STEEL X8CrNiS18-9 UNI EN 10088 (UNI 6900: 71)
8-9	VENTURI DIFFUSER NOZZLE GROUP	PPO-GF 20 (Noryl™)
16	MECHANICAL SEAL	CARBON/CERAMIC
28	OR GASKET	NBR RUBBER

* In contact with liquid



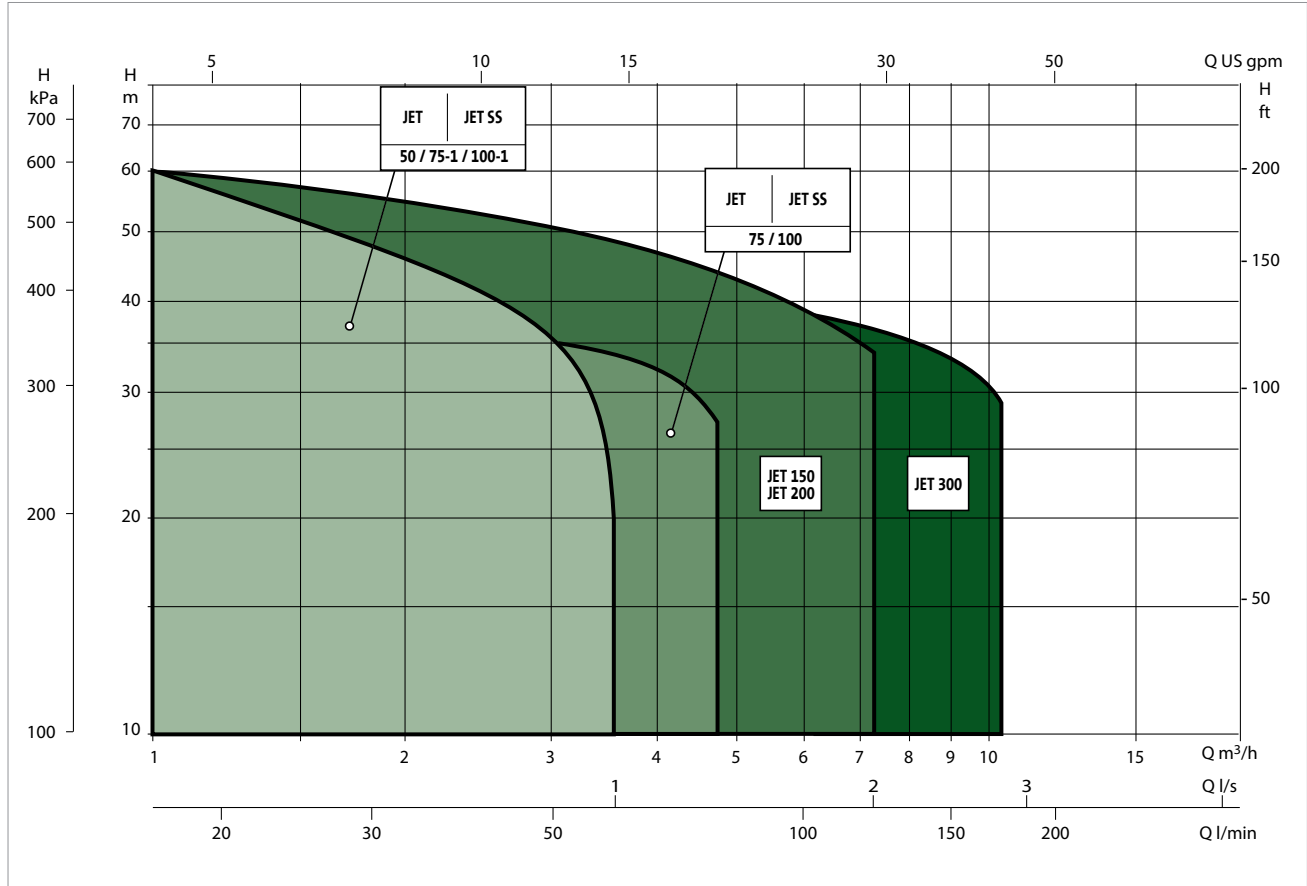
JET 150-200-300

SELF-PRIMING CENTRIFUGAL ELECTRIC PUMPS

PERFORMANCE RANGE

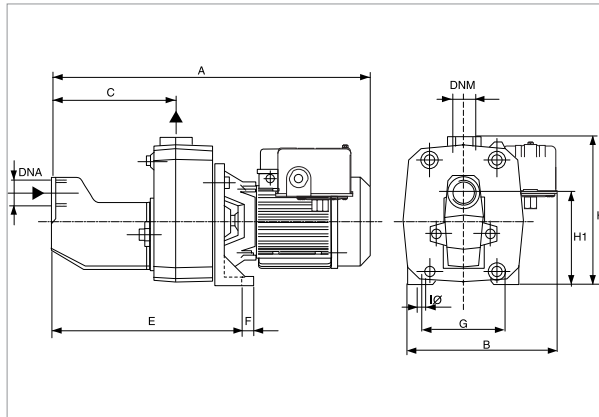
The performance curves are based on kinematic viscosity values = 1 mm²/s and density equivalent to 1000 kg/m³. Curve tolerance according to ISO 9906.

GRAPHIC SELECTION TABLE

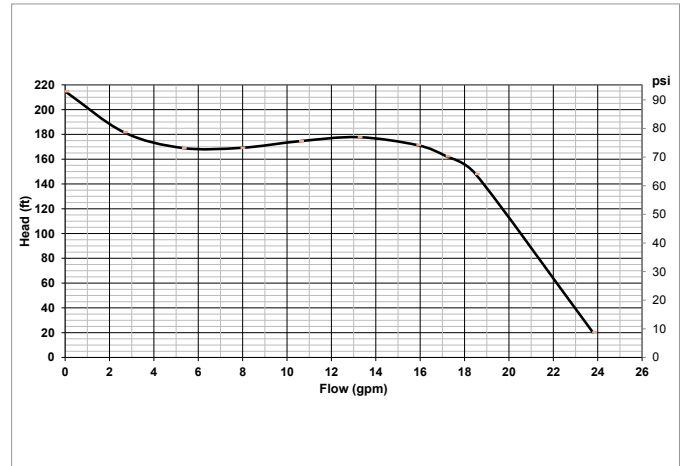


JET 150 - SELF-PRIMING CENTRIFUGAL ELECTRIC PUMPS FOR DOMESTIC WATER SUPPLY

Liquid temperature range pumped: from 32°F to +104°F - Maximum ambient temperature: 104°F



The performance curves are based on the kinematic viscosity values = 1 mm²/s and density equivalent to 1000 kg/m³. Curve tolerance according to ISO 9906.

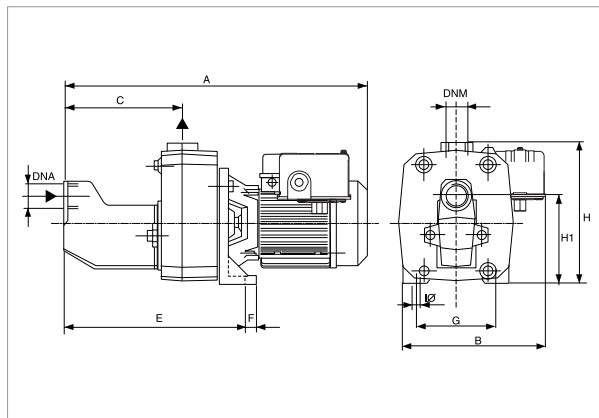


MODEL	ELECTRICAL DATA					
	POWER SUPPLY 60 Hz	kW	HP	SERVICE FACTOR	RPM	amps
JET 150 - PS	1x230 V ~	1.1	1½	1.3	3400	7.7

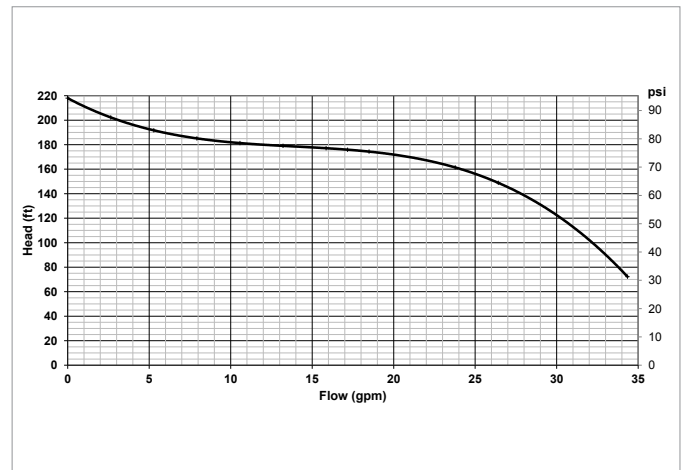
MODEL	A	B	C	E	F	G	H	H1	I Ø	DNA NPT	DNM NPT	PACK DIMENSIONS			VOLUME (Cu Ft)	GROSS WEIGHT Lbs
												L/A	L/B	H		
JET 150 - PS	21.97	9.77	8.70	13.78	0.79	5.71	10.04	6.22	0.43	1¼"	1"	25.9	9.8	11.0	1.59	69.45

JET 200 - SELF-PRIMING CENTRIFUGAL ELECTRIC PUMPS FOR DOMESTIC WATER SUPPLY

Liquid temperature range pumped: from 32°F to +104°F - Maximum ambient temperature: 104°F



The performance curves are based on the kinematic viscosity values = 1 mm²/s and density equivalent to 1000 kg/m³. Curve tolerance according to ISO 9906.

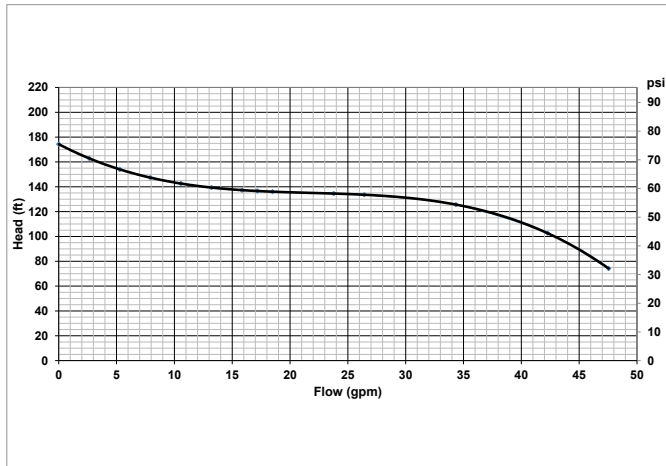
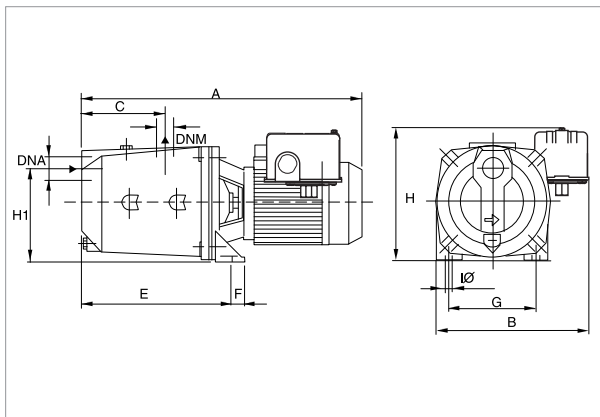


MODEL	ELECTRICAL DATA					
	POWER SUPPLY 60 Hz	kW	HP	SERVICE FACTOR	RPM	amps
JET 200 - PS	1x230 V ~	1.85	2	1.2	3400	10.5

MODEL	A	B	C	E	F	G	H	H1	I Ø	DNA NPT	DNM NPT	PACK DIMENSIONS			VOLUME (Cu Ft)	GROSS WEIGHT Lbs
												L/A	L/B	H		
JET 200 - PS	24.88	9.77	8.70	13.78	0.79	5.71	10.04	6.22	0.43	1¼"	1"	25.9	9.8	11.0	1.59	77.09

JET 300 - SELF-PRIMING CENTRIFUGAL ELECTRIC PUMPS FOR DOMESTIC WATER SUPPLY

Liquid temperature range pumped: from 32°F to +104°F - Maximum ambient temperature: 104°F



The performance curves are based on the kinematic viscosity values = 1 mm²/s and density equivalent to 1000 kg/m³. Curve tolerance according to ISO 9906.

MODEL	ELECTRICAL DATA					
	POWER SUPPLY 60 Hz	kW	HP	SERVICE FACTOR	RPM	amps
JET 300 - PS	1x230 V ~	2.2	3	1.15	3400	12.1

MODEL	A	B	C	E	F	G	H	H1	I Ø	DNA NPT	DNM NPT	PACK DIMENSIONS			VOLUME (Cu Ft)	GROSS WEIGHT Lbs
												L/A	L/B	H		
JET 300 - PS	23.43	9.93	5.95	11.1	0.79	6.3	9.25	6.89	0.43	1 1/2"	1 1/4"	25.9	9.4	9.8	1.59	69.45