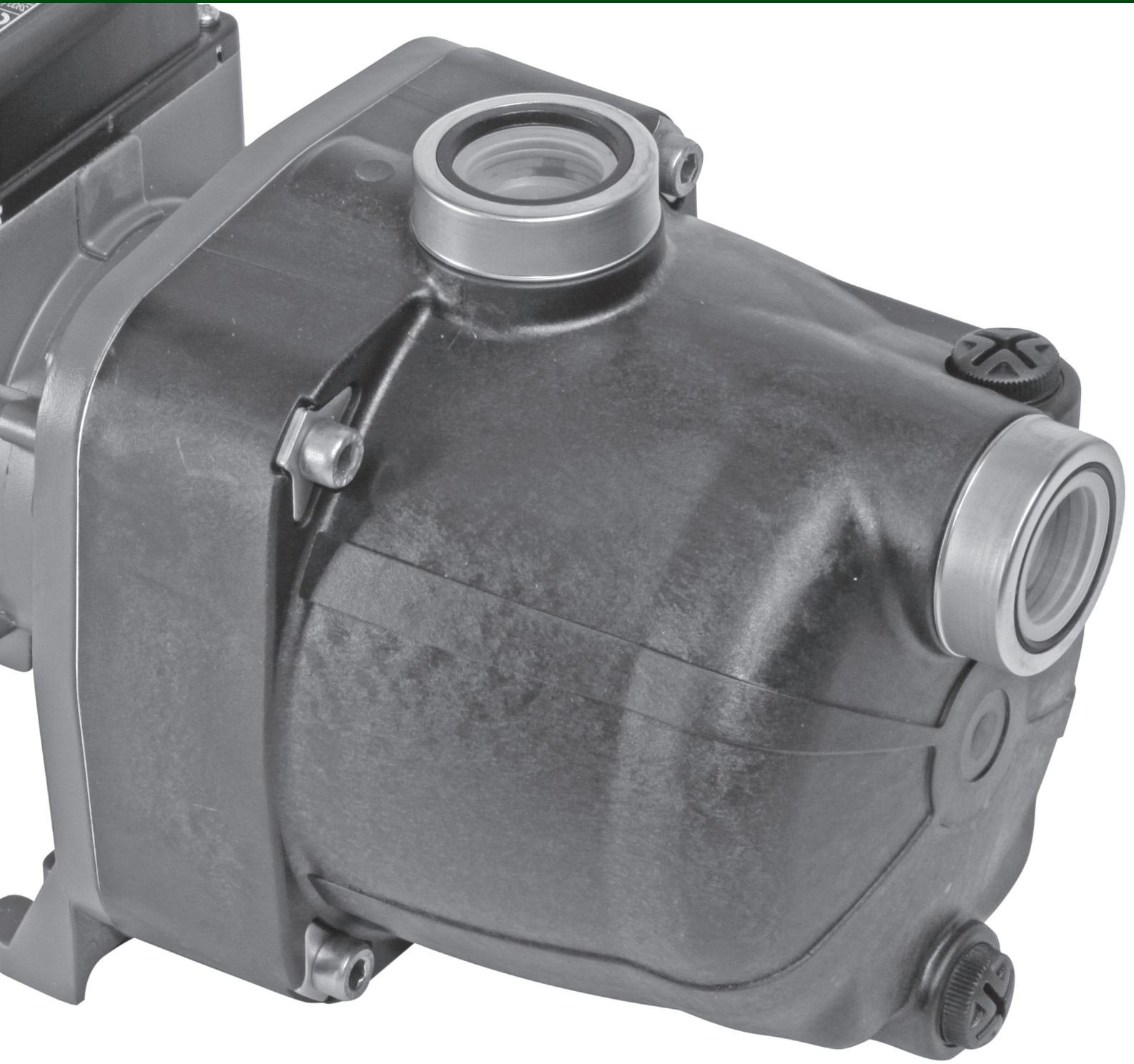


**EUROCOM SP**  
**JETCOM SP**

SWIMMING POOL BOOSTER PUMPS FOR HIGH PRESSURE POOL CLEANERS



# EUROCOM SP & JETCOM SP

## SWIMMING POOL BOOSTER PUMPS



### TECHNICAL DATA

**Operating range:**

from 2.5 to 21 gpm (9.5 to 79.5 l/min). with head up to 180 ft (54.8 m).

**Pumped liquid:** clean, free from solids or abrasives, swimming pool water (containing chlorine).

**Liquid temperature range:**

from 32 °F to +104 °F (0 °C to +40 °C).

**Maximum ambient temperature:** +104°C. (+40°C)

**Maximum operating pressure:** 6 bar (600 kPa).

**Installation:** fixed or portable, horizontal position.

**Motor protection class:** NEMA 3 (IP 44).

**Protection class at the terminal board:** NEMA 4 (IP 55)

**Insulation class:** F.

**Standard voltage:** Single-phase 110-127 V - 60 Hz - 2 poles

### APPLICATIONS

Centrifugal self-priming pump with high suction capacity also when air bubbles are present. Suitable for use with water with small sandy impurities. Particularly suited for water supply in domestic systems: circulation of aggressive water in general, containing chlorine (swimming pool water).

### CONSTRUCTION FEATURES OF THE PUMP

Technopolymer pump body. AISI 316 STAINLESS STEEL seal holder, support. Carbon/ceramic mechanical seal. Pump shaft in AISI 316 STAINLESS STEEL. Technopolymer impeller, diffuser, venturi tubes, and sand guard. Stainless steel adjustment rings.

### CONSTRUCTION FEATURES OF THE MOTOR

Continuous service asynchronous motor.

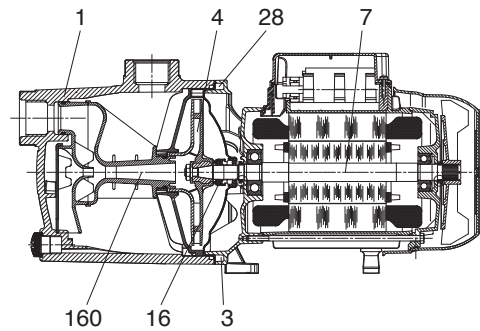
The single-phase version has built-in thermal-ampereometric protection and permanently connected capacitor.

Overload protection to be provided by the user for the three-phase version.

## MATERIALS - JETCOM SP

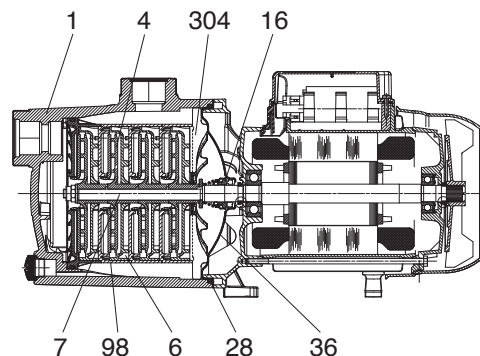
N.	PARTS*	MATERIALS
1	PUMP BODY	TECHNOPOLYMER A
4	IMPELLER	TECHNOPOLYMER A
7	SHAFT WITH ROTOR	AISI 316 STAINLESS STEEL
16	MECHANICAL SEAL	CARBON / CERAMIC
28	OR RING	NBR
36	SEAL COVER	AISI 316 STAINLESS STEEL
160	VENTURI DIFFUSER NOZZLE ASSEMBLY	TECHNOPOLYMER A

\* In contact with the liquid



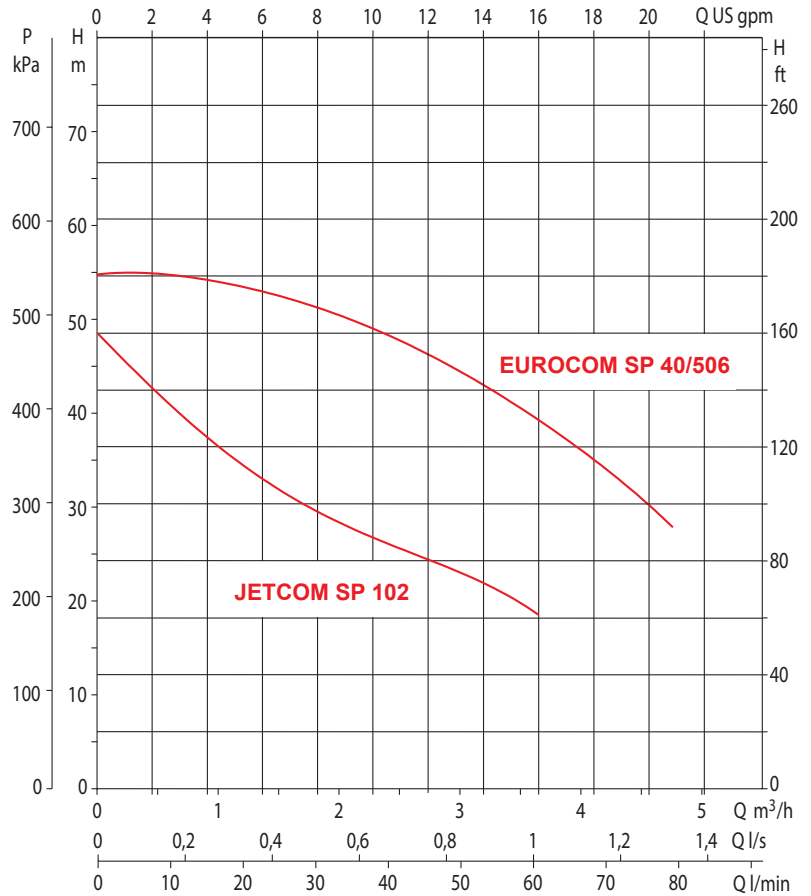
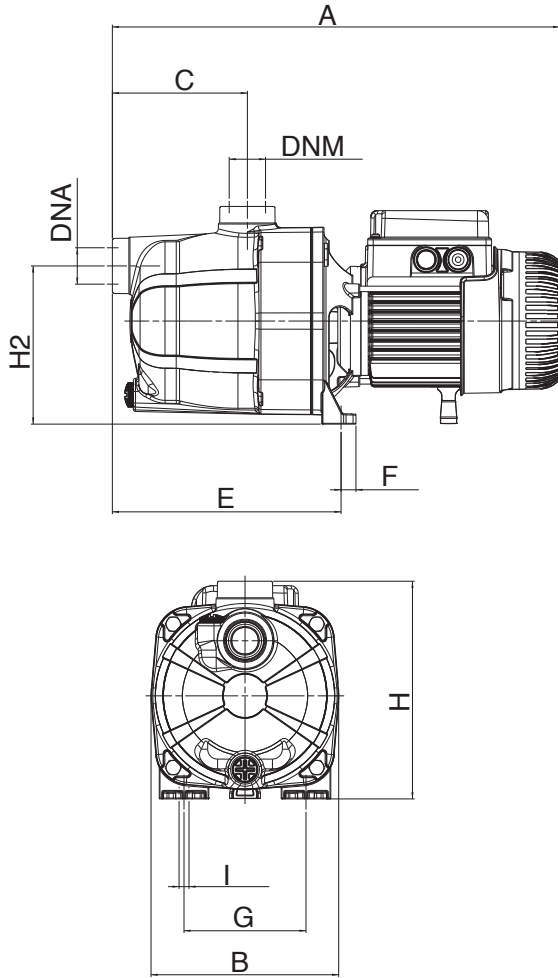
## MATERIALS - EUROCOM SP

N.	PARTS	MATERIALS
1	PUMP BODY	TECHNOPOLYMER
4	IMPELLER	TECHNOPOLYMER
6	DIFFUSER	TECHNOPOLYMER
7	SHAFT WITH ROTOR	AISI 316 STAINLESS STEEL
16	MECHANICAL SEAL	CARBON / CERAMIC
28	OR RING	NBR
36	SEAL COVER	AISI 316 STAINLESS STEEL
98	DIFFUSER BODY	TECHNOPOLYMER
304	REAR DISC	TECHNOPOLYMER



# JETCOM SP 102 - SWIMMING POOL WATER SUPPLY CENTRIFUGAL ELECTRIC PUMPS

Liquid temperature range: from 0 °C to +35 °C - Maximum ambient temperature: +40 °C



The performance curves are based on kinematic viscosity values = 1 mm<sup>2</sup>/s and density equal to 1000 kg/m<sup>3</sup>. Curve tolerance according to ISO 9906.

MODEL	Flow Rate (Q)												
	Q= l/min	0	7.57	15.14	22.71	30.28	37.85	45.42	53.00	60.57	68.14	75.71	
	Q=gpm	0	2	4	6	8	10	12	14	16	18	20	
JETCOM 102 SP M	H	m	48.76	42.67	37.18	32.92	29.23	26.45	23.99	21.43	18.13		
		ft	160	140	122	108	95.9	86.7	78.7	70.3	59.5		
EUROCOM 40/506 SP M	H	m	54.86	54.86	54.25	53.03	51.51	49.37	46.63	43.58	39.93	35.96	31.09
		ft	180	180	178	174	169	162	153	143	131	118	102

MODEL	ELECTRICAL DATA						
	POWER INPUT 60 Hz	P1 MAX kW	P2 NOMINAL		In A	CAPACITOR	
			kW	HP		µF	Vc
JETCOM 102 SP M	1 x 115V ~	1.13	0.75	1	9.7	80	230
EUROCOM 40/506 SP M	1 x 115V ~	1.13	0.75	1	10.3	80	230

MODEL		A	B	C	E	F	G	I Ø	H	H1	DNA	DNM	PACKING DIMENSIONS			GROSS WEIGHT kg	Q.TY X PALLET
													L/A	L/B	H		
													JETCOM 102 SP M	mm	425		
inch	16.73	6.69	4.80	8.19	0.55	4.37	0.35	7.99	5.67	1"	1"	18.5		9.45	9.45	20.95	28
EUROCOM 40/506 SP M	mm	406	170	122	208	14	111	9	203	144	1"	1"	470	240	240	11.3	28
	inch	15.98	6.69	4.80	8.19	0.55	4.37	0.35	7.99	5.67	1"	1"	18.5	9.45	9.45	24.91	28

# DNA<sup>®</sup>

PUMPS SELECTOR



## On-line product selection



**DAB PUMPS LTD.**  
Unit 4 and 5, Stortford Hall Industrial Park,  
Dunmow Road,  
Bishops Stortford,  
Herts  
CM23 5GZ - UK  
salesuk@dwtgroup.com  
Tel. +44 1279 652 776  
Fax +44 1279 657 727



**DAB PUMPS B.V.**  
Brusselstraat 150  
B-1702 Groot-Bijgaarden - Belgium  
info.belgium@dwtgroup.com  
Tel. +32 2 4668353  
Fax +32 2 4669218



**DAB PUMPS B.V.**  
Albert Einsteinweg, 4  
5151 DL Drunen - Nederland  
info.netherlands@dwtgroup.com  
Tel. +31 416 387280  
Fax +31 416 387299



**DAB PUMPEN DEUTSCHLAND GmbH**  
Tackweg 11  
D - 47918 Tönisvorst - Germany  
info.germany@dwtgroup.com  
Tel. +49 2151 82136-0  
Fax +49 2151 82136-36



**DAB PUMPS IBERICA S.L.**  
Avenida de Castilla nr.1 Local 14  
28830 - San Fernando De Henares - Madrid  
Spain  
info.spain@dwtgroup.com  
Tel. +34 91 6569545  
Fax: +34 91 6569676



**DAB PRODUCTION HUNGARY KFT.**  
H-8800  
Nagykanizsa, Buda Ernő u.5  
Hungary  
Tel. +36 93501700



**DAB PUMPS POLAND Sp. z o.o.**  
Mokotów Marynarska  
ul. Postępu 15C  
02-676 Warszawa - Poland  
polska@dabpumps.com.pl  
Tel. +48 223 816 085



**DAB UKRAINE Representative Office**  
Regus Horizon Park  
4 M. Hrinchenka St, suit 147  
03680 Kiev - Ukraine  
Tel. +38 044 391 59 43



**OOO DAB PUMPS**  
Novgorodskaya str. 1, block G  
office 308, 127247, Moscow - Russia  
info.russia@dwtgroup.com  
Tel. +7 495 122 0035  
Fax +7 495 122 0036



**DAB PUMPS INC.**  
3226 Benchmark Drive  
Ladson, SC 29456 - USA  
info.usa@dwtgroup.com  
Tel. 1-843-824-6332  
Fax 1-843-797-3366



**DWT SOUTH AFRICA**  
Podium at Menlyn,  
3rd Floor, Unit 3001b, 43 Ingersol Road,  
C/O Lois and Atterbury street,  
Menlyn, Pretoria, 0181 - South-Africa  
info.sa@dwtgroup.com  
Tel. +27 12 361 3997  
Fax +27 12 361 3137



**DAB PUMPS CHINA**  
No.40 Kaituo Road, Qingdao Economic & Technological  
Development Zone  
Qingdao City, Shandong Province - China  
PC: 266500  
info.china@dwtgroup.com  
Tel. +8653286812030-6270  
Fax +8653286812210



**DAB PUMPS DE MÉXICO, S.A. DE C.V.**  
Av. Gral Álvaro Obregón 270, oficina 355  
Hipódromo, Cuauhtémoc 06100  
México, D.F.  
Tel. +52 55 6719 0493