

DAB[®]

WATER • TECHNOLOGY

EVOSTA 2 EVOSTA 2C

ELECTRONIC CIRCULATOR FOR HOT WATER





EVOSTA 2 EVOSTA 2d

ELECTRONIC
CIRCULATORS



Display (d- version)
Shows the real working point



Energy saving



Ideal for replacement



Water resistant



Airvent plug

DABPUMPS.COM

EVOSTA 2 SAN



Hot Water
recirculating



Drinking Water
approved



Pump body in stainless steel

EVOSTA2

WET ROTOR ELECTRONIC CIRCULATORS



TECHNICAL DATA

Operating range: 0.8 - 15.1 gpm with head up to 18 ft.

Pumped liquid temperature range: from +14 °F (-10°C) to +230 °F (110°C).

Working pressure: 145 psi 10 bar (1000 kPa).

Protection class: IP X5. Protected against jets of water. For indoor use only

Insulation class: F.

Installation: with horizontal motor axis.

Standard power input: single-phase 1 x 110-127 V~ 60 Hz.

Pumped liquid: Clean, free of solids and mineral oils, non-viscous, chemically neutral, with properties similar to water (glycol max 30%).

APPLICATIONS




Low energy consumption electronic pump for hot water circulation in all types of domestic heating systems.

ADVANTAGES

Thanks to the advanced technology employed, the **permanent magnet synchronous motor** and its **electronic driver (also called ECM: Electronic Commutation Motor or BLDC motor: Brushless DC motor)**, the new range of **EVOSTA2** circulators ensures high efficiency in all applications, with significant benefits in terms of energy saving. The circulator has a built-in electronic device that detects the changes demanded by the system, and automatically adapts the circulator performance accordingly, always ensuring optimum efficiency and minimum energy consumption.

The **EVOSTA2** circulator is also suitable for replacing old three-speed circulators, both as far as size, as it has the same dimensions of the VA series, and for its capability of covering pumps with heads of up to 18 feet with one single model. It can also simplify the work of the user, thanks to a single sequential setting button and a breather plug used to degas the system and unlock the motor shaft if required.

The EVOSTA2 circulators can operate in 3 different modes:

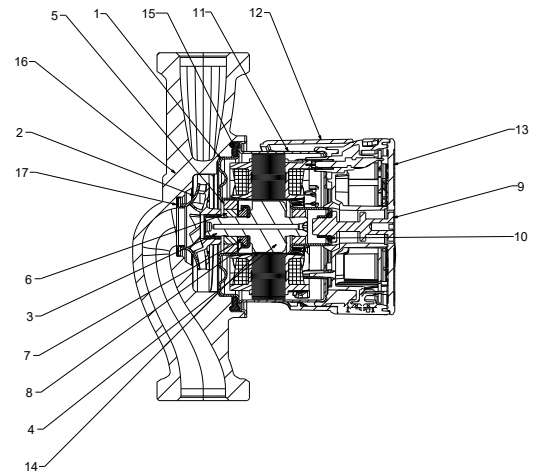
- Proportional differential pressure  3 curves
- Constant differential pressure  3 curves
- Fixed curve  3 curves

CONSTRUCTION FEATURES

- Pump body in cast iron with cathaphoresis treatment EVOSTA2 SAN version with Stainless Steel
- Motor casing in stainless steel
- Motor casing cover in technopolymer
- Motor shaft in ceramic (alumina)
- IPX5: Protected against water jets. For indoor use only.

MATERIALS

| N. | PARTS | MATERIALS |
|----|------------------|--|
| 1 | ROTOR CAN FLANGE | STAINLESS STEEL AISI 316 |
| 2 | IMPELLER | ULTRASON |
| 3 | MOTOR SHAFT | CERAMIC (ALUMINA) |
| 4 | ROTOR | Fe |
| 5 | BEARING HOUSING | BRASS |
| 6 | BEARING | ALUMINA |
| 7 | AXIAL BEARING | GRAPHITE |
| 8 | AXIAL HOUSING | EPDM |
| 9 | PLUG | BRASS |
| 10 | O-RING | EPDM |
| 11 | STATOR HOUSING | STAINLESS STEEL AISI 304 |
| 12 | OUTER SHELL | POLYCARBONATE |
| 13 | COVER | POLYCARBONATE |
| 14 | ROTOR SLEVE | STAINLESS STEEL AISI 304 |
| 15 | SEAL | EPDM |
| 16 | PUMP HOUSING | Standard version CAST IRON with cataphoresis treatment SANITARY version STAINLESS STEEL |
| 17 | NECK RING | POLYCARBONATE |



OPERATING MODES

EVOSTA 2

PROPORTIONAL PRESSURE REGULATION MODE

PP1 PP2 PP3

CONSTANT PRESSURE REGULATION MODE

CP1 CP2 CP3

FIXED CURVE REGULATION MODE

I II III

EVOSTA 2C

PROPORTIONAL PRESSURE REGULATION MODE

PP1 PP2 PP3

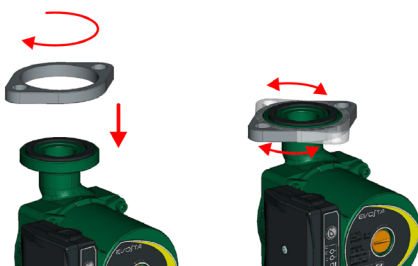
CONSTANT PRESSURE REGULATION MODE

CP1 CP2 CP3

FIXED CURVE REGULATION MODE

I II III

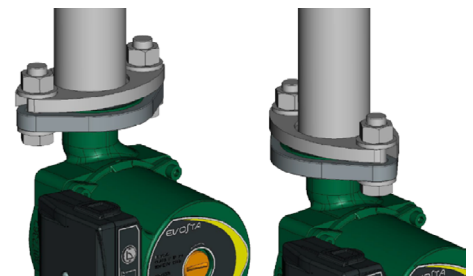
2 BOLT FLANGE



CHECK VALVE

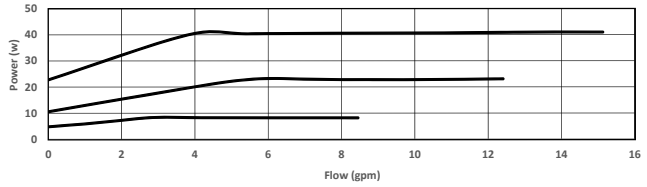
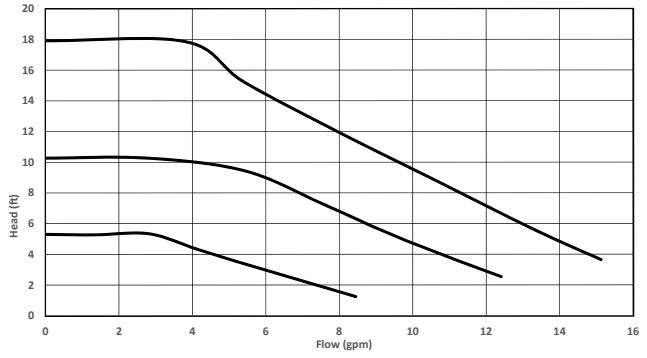
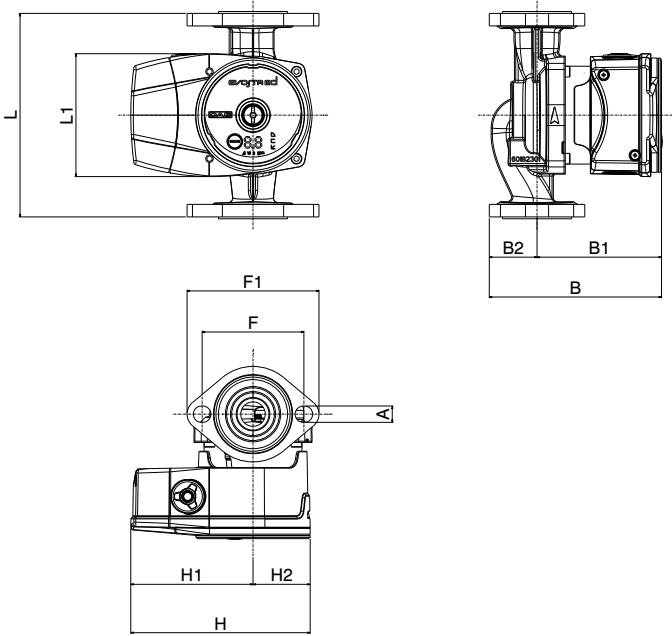


360° Rotation around a vertical axis

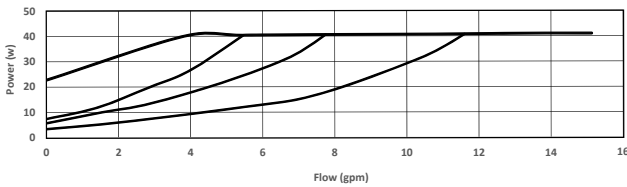
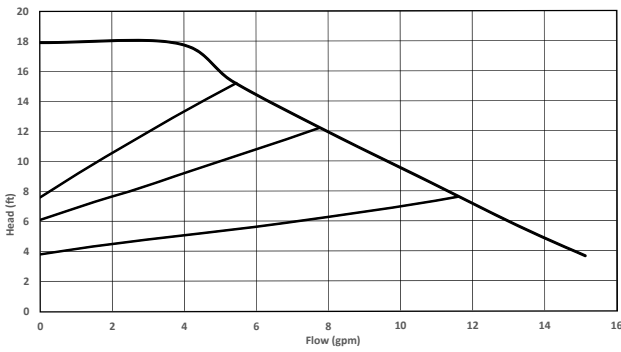


EVOSTA2 - ELECTRONIC CIRCULATORS FOR DOMESTIC HEATING SYSTEMS - SINGLE, WITH UNIONS

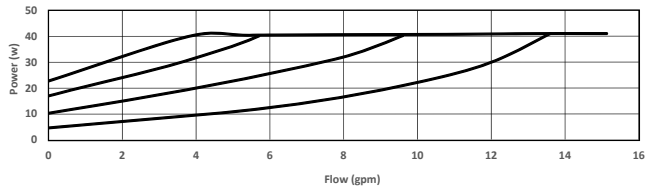
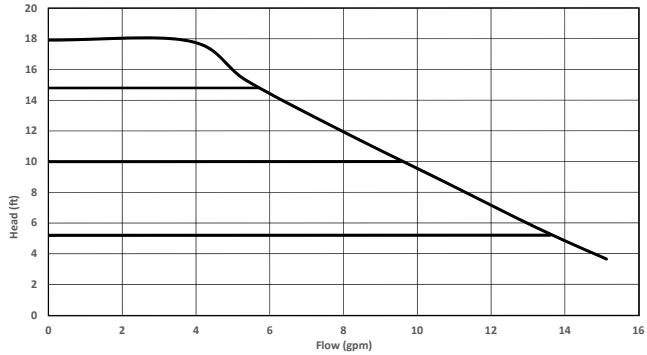
Pumped liquid temperature range: from +14 °F to +230 °F - Maximum operating pressure: 145 psi 10 bar (1000 kPa)



CONSTANT SPEED



PROPORTIONAL PRESSURE



CONSTANT PRESSURE

The performance curves are based on kinematic viscosity values = 1 mm²/s and density equal to 1000 kg/m³. Curve tolerance according to ISO 9906.

| MODEL | Q=gpm | 0 | 2 | 4 | 6 | 8 | 10 | 12 | 14 | 15.12 |
|----------|--------|-------|-------|-------|-------|-------|------|------|------|-------|
| EVOSTA 2 | H (ft) | 17.92 | 17.85 | 17.81 | 14.38 | 11.98 | 9.42 | 7.01 | 4.79 | 3.34 |

| MODEL | CENTRE DISTANCE | FLANGE | POWER INPUT 60 Hz | P1 MAX W | In A | EEI * | MINIMUM SUCTION PRESSURE | |
|----------|-----------------|-------------|----------------------|-------------|---------------|------------|--------------------------|--------|
| | | | | | | | t° | 194 °F |
| EVOSTA 2 | 6 3/8" | OVAL 2 BOLT | 1 x 110-127 V ~ | 4 41 | 0.064 0.61 | EEI ≤ 0,23 | ft.c.w. | 32.8 |

| MODEL | L | L1 | B | B1 | B2 | H | H1 | H2 | A | F | F1 | PACKING DIMENSIONS | | | VOLUME ft ³ | WEIGHT lbs |
|----------|--------|----------|----------|----------|--------|--------|----------|----------|--------|---------|---------|--------------------|--------|----------|---------------------------|---------------|
| | | | | | | | | | | | | L | B | H | | |
| EVOSTA 2 | 6 3/8" | 5 55/64" | 5 25/64" | 3 57/64" | 1 1/2" | 5 5/8" | 3 13/64" | 1 13/64" | 33/64" | 3 3/16" | 4 9/64" | 5 23/64" | 7 1/4" | 6 17/32" | 0.1467 | 5.73 |





DAB PUMPS INC.

3226 Benchmark Drive
Ladson, SC 29456 - USA

www.dabpumps.us
info.usa@dwtgroup.com
Tel. 1-843-797-5002
Fax 1-843-797-3366



DAB PUMPS LTD.
Unit 6 Gilberd Court
Newcomen Way, Severalls Park
Colchester CO4 9WN
United Kingdom
www.dabpumps.co.uk
salesuk@dwtgroup.com
Tel. +44 1279 652 776
Fax +44 1279 657 727



DAB PUMPS IBERICA S.L.
Calle Verano 18-20-22
28850 - Torrejón de Ardoz - Madrid
Spain
Info.spain@dwtgroup.com
Tel. +34 91 6569545
Fax: + 34 91 6569676



DAB PUMPS SOUTH AFRICA PTY
Twenty One industrial Estate,
16 Purlin Street, Warehouse 4, Unit B
Olifantsfontein - South - Africa
info.sa@dwtgroup.com
Tel. +27 12 361 3997
Fax +27 12 361 3137



DAB PUMPS B.V.
Brusselstraat 150
B-1702 Groot-Bijgaarden - Belgium
info.belgium@dwtgroup.com
Tel. +32 2 4668353
Fax +32 2 4669218



DAB PUMPS HUNGARY KFT.
H-8800
Nagykanizsa, Buda Ernő u.5
Hungary
Tel. +36 93501700



DAB PUMPS (QINGDAO) CO. LTD.
No.40 Kaituo Road, Qingdao Economic & Technological
Development Zone
Qingdao City, Shandong Province - China
PC: 266500
sales.cn@dwtgroup.com
Tel. +86 400 186 8280
Fax +86 53286812210



DAB PUMPS POLAND Sp. z o.o.
Mokotów Marynarska
ul. Postępu 15C
02-676 Warszawa - Poland
polska@dabpumps.com.pl
Tel. +48 223 816 085



DAB PUMPS B.V.
Albert Einsteinweg, 4
5151 DL Drunen - Nederland
info.netherlands@dwtgroup.com
Tel. +31 416 387280
Fax +31 416 387299



OOO DAB PUMPS
Novgorodskaya str. 1, block G
office 308, 127247, Moscow - Russia
info.russia@dwtgroup.com
Tel. +7 495 122 0035
Fax +7 495 122 0036



DAB PUMPS DE MÉXICO, S.A. DE C.V.
Av Amsterdam 101 Local 4
Col. Hipódromo Condesa,
Del. Cuauhtémoc CP 06170
Ciudad de México
Tel. +52 55 6719 0493



DAB PUMPEN DEUTSCHLAND GmbH
Tackweg 11
D - 47918 Tönisvorst - Germany
info.germany@dwtgroup.com
Tel. +49 2151 82136-0
Fax +49 2151 82136-36



DAB PUMPS INC.
3226 Benchmark Drive
Ladson, SC 29456 - USA
info.usa@dwtgroup.com
Tel. 1- 843-797-5002
Fax 1-843-797-3366



DAB PUMPS OCEANIA PTY LTD
426 South Gippsland Hwy,
Dandenong South VIC 3175 - Australia
info.oceania@dwtgroup.com
Tel. +61 1300 373 677