

---

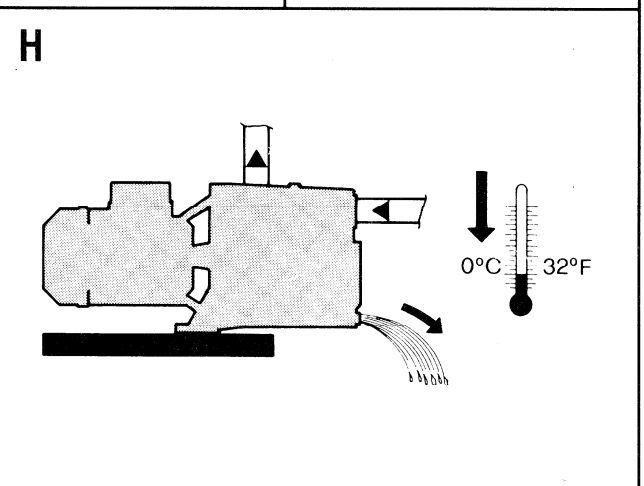
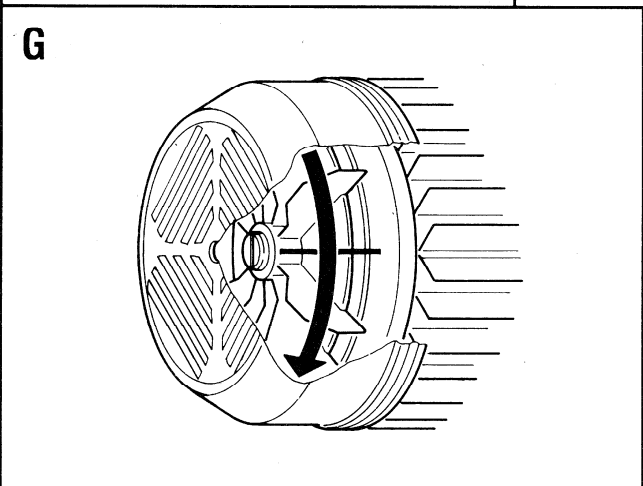
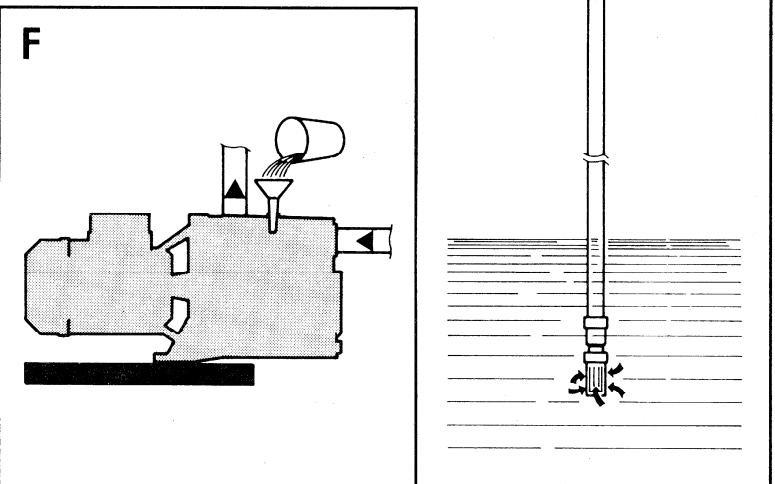
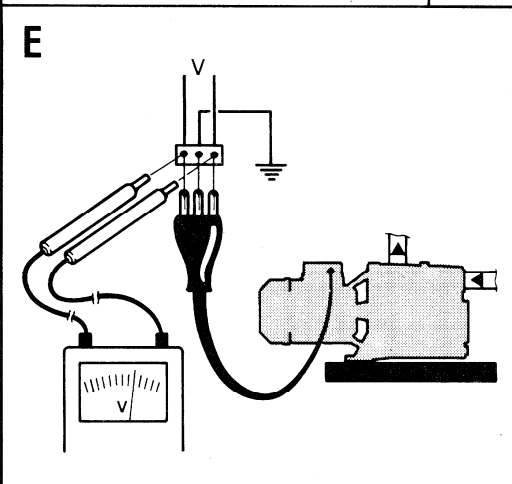
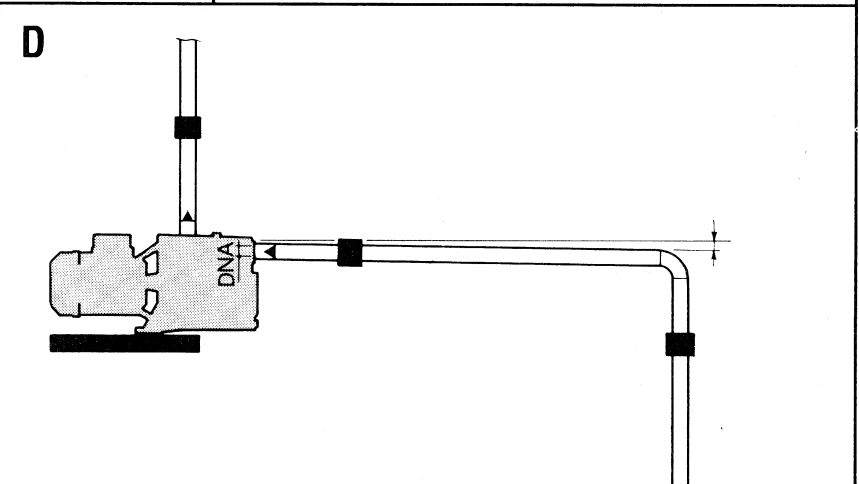
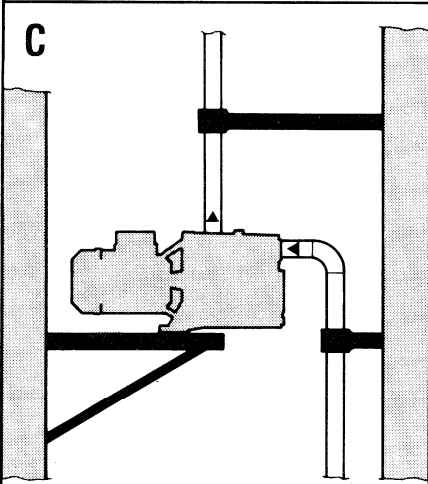
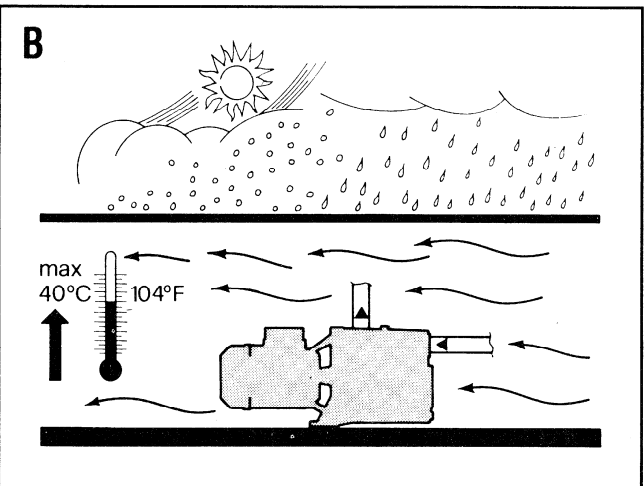
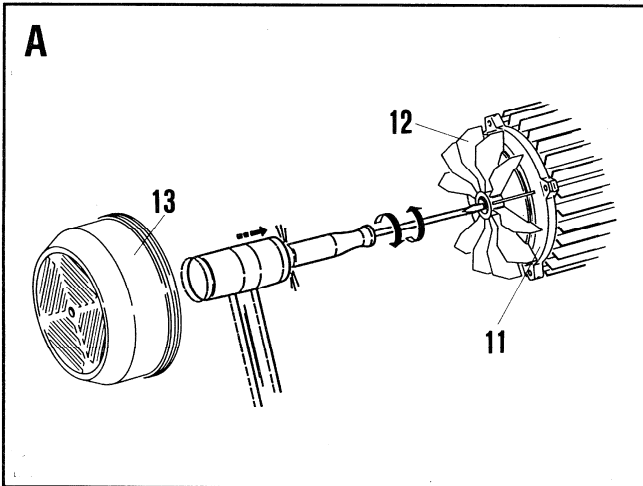
**INSTRUCTIONS FOR INSTALLATION AND MAINTENANCE  
INSTRUCTIONS POUR L'INSTALLATION ET LA MAINTENANCE  
INSTRUCCIONES PARA LA INSTALACION Y EL MANTENIMIENTO**

**JET - JETINOX - JETCOM**

**EURO - EUROINOX - EUROCOM**

**K**

**DP**



	page
<b>CONTENTS</b>	
1. <b>GENERAL</b>	1
2. <b>APPLICATIONS</b>	1
3. <b>PUMPED FLUIDS</b>	1
4. <b>TECHNICAL DATA AND RANGE OF USE</b>	1
5. <b>MANAGEMENT</b>	2
5.1. <b>Storage</b>	2
5.2. <b>Transport</b>	2
5.3. <b>Weights</b>	2
6. <b>WARNINGS</b>	2
6.1. <b>Skilled personnel</b>	2
6.2. <b>Safety</b>	2
6.3. <b>Checking motor shaft rotation</b>	2
6.4. <b>Responsibility</b>	2
7. <b>INSTALLATION</b>	3
8. <b>ELECTRICAL CONNECTION</b>	3
9. <b>STARTING UP</b>	4
10. <b>PRECAUTIONS</b>	4
11. <b>MAINTENANCE AND CLEANING</b>	4
12. <b>MODIFICATIONS AND SPARE PARTS</b>	4
12.1 <b>Removal and replacement of the supply cable</b>	4
13. <b>INSTRUCTIONS FOR ADJUSTING THE PRESSURE SWITCH</b>	4
14. <b>TROUBLESHOOTING</b>	5

## 1. GENERAL



**Read this documentation carefully before installation.** Installation and functioning must comply with the safety regulations in the country in which the product is installed. The entire operation must be carried out in a workmanlike manner.

Failure to comply with the safety regulations not only causes risk to personal safety and damage to the equipment, but invalidates every right to assistance under guarantee.

## 2. APPLICATIONS

**JET - JETINOX - JETCOM:** Self-priming centrifugal jet pumps with excellent suction capacity, even when gas is present in the water. Particularly suitable for water supply uses and for pressurization in the home. Suitable for small farming applications, market gardens, gardening, emergencies in the home and industrial utilities.

**EURO - EUROINOX - EUROCOM:** Self-priming multistage centrifugal pump with horizontal action, suitable for domestic or industrial uses, for water supply systems and pressurization. In farming it is ideal for small irrigation work and for washing tools and machinery. Also suitable for water containing gas. Water is recycled only during the priming stage, after which the maximum flow is made available for use with continuous and constant distribution. These qualities allow vast possibilities for use.

**K :** Single impeller centrifugal pump designed for domestic, civil, industrial and agricultural installations and for decanting, mixing and irrigating uses.

**DP :** Self-priming centrifugal pumps for suction at depths of as many as 30 metres with ejector to be fitted in 4" wells or larger. Used for supplying water to farm houses and in small farming applications.

## 3. PUMPED FLUIDS



**The machine has been designed and built for pumping water, free from explosive substances and solid particles or fibres, with a density of 61,31 lb/ft<sup>3</sup> and a kinematic viscosity of 1,0764×10<sup>-5</sup> ft<sup>2</sup>/s, and chemically non-aggressive liquids.**

## 4. TECHNICAL DATA AND RANGE OF USE

- **Supply voltage:** 1 X 115/230V 60Hz | see electrical data plate
- **Absorbed power:** see electrical data plate
- **Delivery:** from 0,4 to 17,2 m<sup>3</sup>/h From 1.7 to 75 gpm
- **Head up:** to 72 m. 236 ft
- **Pumped liquid:** clean, free from solid bodies or abrasive substances, non-aggressive.
- **Protection class:** F

– <b>Maximum operating pressure:</b>	88 psi (6 bar) (600 kPa):	JETCOM EURO-EUROINOX-EUROCOM K DP
	116 psi (8 bar) (800 kPa):	JET-JETINOX
– <b>Liquid temperature range:</b>	32 - 95 °F 0 ÷ 35°C:	For all homologated pumps EN 60335-2-41 (for domestic uses)
	32 -104 °F 0 ÷ 40°C:	JET-JETINOX-JETCOM DP
	-10 ÷ +50°C:	K

– **Storage temperature:** 14 - 104 °F (-10°C to 40°C)

– **Relative humidity of the air:** MAX. 95%

## 5. MANAGEMENT

### 5.1 Storage

All the pumps must be stored indoors, in a dry, vibration-free and dust-free environment, possibly with constant air humidity. They are supplied in their original packaging and must remain there until the time of installation. If this is not possible, the intake and discharge ports must be accurately closed.

### 5.2 Transport

Avoid subjecting the products to needless jolts or collisions.

To lift and transport the unit, use lifting equipment and the pallet supplied standard (if applicable).

### 5.3 Weights

The adhesive label on the package indicates the total weight of the pump.

## 6. WARNINGS

### 6.1 Skilled technical personnel



**It is advisable that installation be carried out by skilled personnel in possession of the technical qualifications required by the specific legislation in force.**

The term **skilled personnel** means persons whose training, experience and instruction, as well as their knowledge of the respective standards and requirements for accident prevention and working conditions, have been approved by the person in charge of plant safety, authorizing them to perform all the necessary activities, during which they are able to recognize and avoid all dangers.

### 6.2 Safety

Use is allowed only if the electric system is in possession of safety precautions in accordance with the regulations in force in the country where the product is installed.

### 6.3 Checking motor shaft rotation

Before installing the pump you must check that the rotating parts turn freely. For this purpose remove the fan cover from its seat in the motor end cover. Insert a screwdriver in the notch on the motor shaft from the ventilation side. If there is a blockage, turn the screwdriver, tapping it gently with a hammer. **Fig.A**

### 6.4 Responsibility



**The Manufacturer does not vouch for correct operation of the pumps if they are tampered with or modified, run outside the recommended work range or in contrast with the other instructions given in this manual.**

**The Manufacturer declines all responsibility for possible errors in this instructions manual, if due to misprints or errors in copying. The company reserves the right to make any modifications to products that it may consider necessary or useful, without affecting the essential characteristics.**

**7. INSTALLATION**

- 7.1 The pump must be fitted in a well ventilated place, protected from unfavorable weather conditions and with an environment temperature not exceeding 104 °F (40°C). Fig.B
- 7.2 A firm anchoring of the pump to the bearing surface favors the absorption of any vibrations caused by pump operation. **Fig. C**
- 7.3 Ensure that the metal pipes do not exert undue strain on the apertures, thus preventing deformations or breakages. **Fig. C**
- 7.4 **It is always good practice to place the pump as close as possible to the liquid to be pumped.** The pump must be installed only in horizontal position. The internal diameters of the pipes must never be smaller than that of the mouth of the pump. It is advisable to fit a foot valve on suction. **Fig. D** For suction depths of over 13ft (4 m). or with long horizontal stretches it is advisable to use an intake hose with a diameter larger than that of the intake aperture of the pump. To prevent the formation of air pockets, the intake hose must slope slightly upwards towards the pump. **Fig. D**
- 7.5 If the intake pipe is made of rubber or flexible material, always check that it is of the reinforced type to avoid throttling due to suction.

**8. ELECTRICAL CONNECTION**

**Caution! always follow the safety regulations.**



**Please follow the wiring diagrams inside the pressure box.**

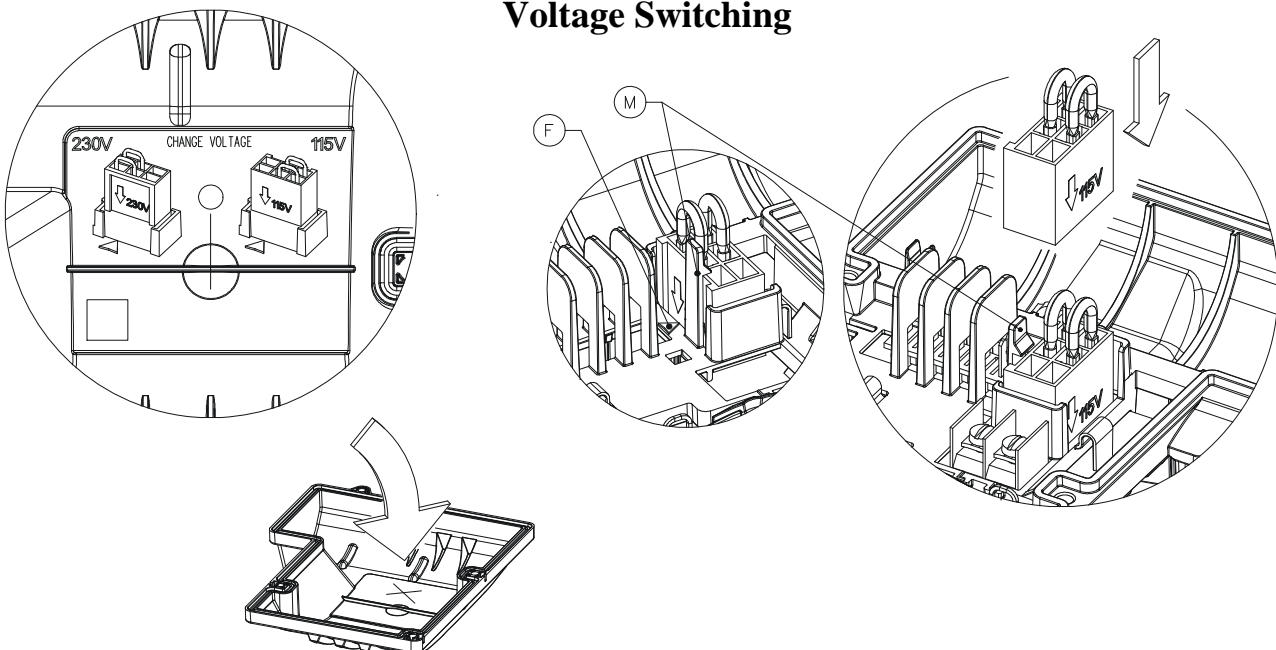
- 8.1 All electrical work should be performed by a qualified electrician in accordance with the latest edition of the National Electrical Code, local codes and regulations.



**Ensure that the mains voltage is the same as the value shown on the motor plate. A faulty motor or winding can cause electrical shock that could be fatal, whether touched directly or conducted through standing water. For this reason, proper grounding of the pump to the power supply's grounding terminal is required for safe installations, the above-ground metal plumbing should be connected to the power supply as a ground as described in Article 250-80 of the National Electrical Code or Section 26-954 of the Canadian.**

- 8.2 In fixed installations, International Safety Standards require the use of isolating switches with a fuse-carrier base.
- 8.3 Single-phase motors are provided with built-in thermal overload protection with automatic reset, and may be connected directly to the mains.

**Voltage Switching**



**FITTING THE VOLTAGE CONVERTER**

- Check the voltage indicated on the side of the voltage converter.
- Turn the indicator so that the desired voltage points towards the side with the “M” lock catch.
- The arrow on the converter next to the required voltage must be aligned with the “F” arrow on the housing.
- Push the coverter into position until the reference catch “M” clips in place.

**9. STARTING UP**

9.1



**Do not start the pump unless it has been completely filled with fluid.**

Before starting up, check that the pump is properly primed; fill it completely with clean water by means of the hole provided after having removed the filler cap on the pump body. This ensures that the mechanical seal is well lubricated and that the pump immediately starts to work regularly. (Fig. F). **Dry operation causes irreparable damage to the mechanical seal.** The filling cap must then be screwed back on carefully.

**10. PRECAUTIONS**

10.1

The pump should not be started more than 20 times in one hour so as not to subject the motor to excessive thermal shock.

10.2

**DANGER OF FROST:** When the pump remains inactive for a long time at temperatures of less than 32 °F (0°C), the pump body must be completely emptied through the drain cap Fig. H, to prevent possible cracking of the hydraulic components. This operation is advisable even in the event of prolonged inactivity at normal temperature.

10.3

When starting after long periods of inactivity, the starting-up operations listed above must be repeated.

**11. MAINTENANCE AND CLEANING**

In normal operation, the pump does not require any specific maintenance. However, it may be necessary to clean the hydraulic parts when a decrease in performance is observed. **The pump must not be dismantled unless by skilled personnel in possession of the qualifications required by the regulations in force.** In any case, all repairs and maintenance jobs must be carried out only after having disconnected the pump from the power mains.

**12. MODIFICATIONS AND SPARE PARTS**

**Any modification not authorized beforehand relieves the manufacturer of all responsibility.** All the spare parts used in repairs must be original ones and the accessories must be approved by the manufacturer so as to be able to guarantee maximum safety of the machines and systems in which they may be fitted.

12.1

**Removal and replacement of the supply cable**

**Before starting, ensure that the pump is not connected to the power network**

Unscrew the screw from the cover of the pressure switch using a screwdriver and remove the cover. Remove the yellow-green lead, slackening the earth screw, the blue lead and the brown lead from the respective terminals at the side, slackening the screws on the terminals. Remove the cable blocking terminal, slackening the respective screws, and slip off the cable which is now disconnected.

**When replacing the power cable, a cable of the same type must be used and with the same terminals, proceeding as for disassembly in inverse order.**

**ATTENTION:**

**For power cables with a plug, fit a device for disconnecting the power network (e.g. a magnetothermal switch) with separation contacts of at least 0.12” for each pole.**

**13. INSTRUCTIONS FOR ADJUSTING THE PRESSURE SWITCH**

1. Establish the minimum desired pressure value (leaving the pump).
2. Set the storage tank pre-loading pressure 42 psi (2.9 bar) less than the minimum pressure level.
3. Calibrate it following the indications given below inside the pressure box.

**14. TROUBLESHOOTING**

<b>FAULT</b>	<b>CHECKS (possible cause)</b>	<b>REMEDY</b>
1. The motor does not start and makes no noise.	A. Check the electric connections. B. Check that the motor is live. C. Check the protection fuses. D. Check that the pressure switch is live.  E. Ensure that the tank preloading pressure is not higher than the minimum value of the pressure switch.	C. If they are burnt-out, change them. N.B. If the fault is repeated immediately this means that the motor is short circuiting. E. Set the preloading pressure 2,9 bar below the minimum value of the pressure switch.
2. The motor does not start but makes noise.	A. Ensure that the mains voltage is the same as the value on the plate. B. Ensure that the connections have been made correctly. C. Check that all the phases are present on the terminal board. (3~) D. Look for possible blockages in the pump or motor. E. Check the condition of the capacitor.	B. Correct any errors. C. If not, restore the missing phase. D. Remove the blockage. E. Replace the capacitor.
3. The motor turns with difficulty.	A. Check the voltage which may be insufficient. B. Check whether any moving parts are scraping against fixed parts.	B. Eliminate the cause of the scraping.
4. The pump does not deliver.	A. The pump has not been primed correctly. B. The diameter of the intake pipe is insufficient. C. Blocked foot valve.	B. Replace the pipe with a larger diameter one. C. Clean the foot valve.
5. The pump does not prime.	A. The intake pipe or the foot valve is taking in air. B. The downward slope of the intake pipe favours the formation of air pockets.	A. Correct the problem and prime again. B. Correct the inclination of the intake pipe.
6. The pump supplies insufficient flow.	A. Blocked foot valve. B. The impeller is worn or blocked.  C. The diameter of the intake pipe is insufficient.	A. Clean the foot valve. B. Remove the obstructions or replace the worn parts. C. Replace the pipe with one with a larger diameter.
7. The pump vibrates and operates noisily.	A. Check that the pump and the pipes are firmly anchored. B. There is cavitation in the pump, that is the demand for water is higher than it is able to pump. C. The pump is running above its plate characteristics.	A. Fix the loose parts more carefully. B. Reduce the intake height or check for load losses. C. It may be useful to limit the flow at delivery.
8. The motor does not stop when the demand for water has ceased.	A. Ensure that the value at which the pressure switch is set to stop the motor is not higher than the pressure that the pump can generate (suction + delivery) B. Check that the pressure switch contacts move freely.	A. Set the pressure switch at a lower pressure. B. Otherwise change the pressure switch.
9. The pressure switch, starting and stopping frequently during normal water delivery.	A. Check the setting of the pressure switch which will certainly be too low.  B. Check that the diaphragm of the expansion chamber (if used) is unbroken.	A. Increase the setting values of the pressure switch until the problem is overcome. Do not forget to reset the minimum intervention pressure. B. Otherwise remove the fault.

	page
<b>1. TABLE DES MATIÈRES</b>	
<b>1. GÉNÉRALITÉS</b>	7
<b>2. APPLICATIONS</b>	7
<b>3. LIQUIDES POMPES</b>	7
<b>4. CARACTÉRISTIQUES TECHNIQUES ET LIMITES D'UTILISATION</b>	7
<b>5. GESTION</b>	9
<b>5.1. Stockage</b>	9
<b>5.2. Transport</b>	9
<b>5.3. Poids</b>	9
<b>6. AVERTISSEMENTS</b>	9
<b>6.1. Personnel spécialisé</b>	9
<b>6.2. Sécurité</b>	9
<b>6.3. Contrôle rotation arbre moteur</b>	9
<b>6.4. Responsabilités</b>	9
<b>7. INSTALLATION</b>	9
<b>8. BRANCHEMENT ÉLECTRIQUE</b>	10
<b>9. MISE EN MARCHÉ</b>	11
<b>10. PRÉCAUTIONS</b>	11
<b>11. MAINTENANCE ET LAVAGE</b>	11
<b>12. MODIFICATIONS ET PIÈCES DE RECHANGE</b>	11
<b>12.1 Enlèvement et remplacement du câble</b>	11
<b>13. INSTRUCTIONS POUR LE REGLAGE DES CONTACTEURS-MANO</b>	11
<b>14. IDENTIFICATION DES INCONVÉNIENTS ET REMÈDES</b>	12

## 1. GÉNÉRALITÉS



**Avant de procéder à l'installation, lire attentivement cette documentation.**

L'installation et le fonctionnement devront être conformes à la réglementation de sécurité en vigueur dans le pays d'installation du produit. Toute l'opération devra être effectuée dans les règles de l'art. Le non respect des normes de sécurité, en plus de créer un risque pour les personnes et d'endommager les appareils, fera perdre tout droit d'intervention sous garantie.

## 2. APPLICATIONS

**JET - JETINOX - JETCOM:** pompes centrifuges auto-amorçables à jet avec une excellente capacité d'aspiration même en présence d'eau gazeuse. Particulièrement indiquée pour l'alimentation en eau et la surpression d'habitations rurales. Indiquées pour l'arrosage de potagers et de jardins, les urgences domestiques et les services industriels.

**EURO - EUROINOX - EUROCOM:** pompe centrifuge multicellulaire auto-amorçable à axe horizontal adaptée à des usages domestiques ou industriels pour installations hydrauliques d'approvisionnement et de surpression. En agriculture, elle convient pour les petites irrigations et le lavage d'outils et de machines. Ces modèles peuvent fonctionner également avec de l'eau gazeuse. Le recyclage de l'eau s'effectue seulement en phase d'amorçage puis le débit maximum est rendu disponible pour l'utilisation avec une sortie constante. Ces qualités permettent de nombreux types d'application.

**K :** pompe centrifuge monocellulaire adaptée à l'utilisation dans des installations domestiques, civiles, industrielles et agricoles pour transvasement, mélange et irrigation.

**DP :** pompes centrifuges auto-amorçables pour aspirations profondes jusqu'à 30 mètres avec éjecteur à introduire dans des forages de 4" ou plus. Employée pour l'alimentation en eau de maisons rurales et pour la petite agriculture.

## 3. LIQUIDES POMPES



**La machine est projetée et construite pour pomper de l'eau, privée de substances explosives et de particules solides ou fibres, avec une densité égale à 61,31 lb/ft<sup>3</sup> et une viscosité cinématique 1,0764×10<sup>-5</sup> ft<sup>2</sup>/s, et des liquides non agressifs sur le plan chimique.**

## 4. CARACTÉRISTIQUES TECHNIQUES ET LIMITES D'UTILISATION

- **Tension d'alimentation :** 1 X 115/230V 60Hz voir plaquette des données électriques
- **Puissance absorbée :** voir plaquette des données électriques
- **Débit:** de 0,4 à 17,2 m<sup>3</sup>/h
- **Hauteur d'élévation:** jusqu'à 72 m.



- **Liquide pompé:** propre sans corps solides ou abrasifs, non agressif
- **Classe du moteur :** F

– <b>Pression de service maximum:</b>	6 bar (600 kPa):	JETCOM EURO-EUROINOX-EUROCOM K DP
	8 bar (800 kPa):	JET-JETINOX
– <b>Température maximum du liquide:</b>	0 ÷ +35°C:	Pour toutes les pompes homologuées EN 60335-2-41 (usage domestique)
	0 ÷ +40°C:	JET-JETINOX-JETCOM DP
	-10 ÷ +50°C:	K

- **Température de magasinage :** -10°C +40°C
- **Humidité relative de l'air:** MAX 95%

## 5. GESTION

### 5.1 Stockage

Toutes les pompes doivent être stockées dans un endroit couvert, sec et avec une humidité de l'air constante si possible, sans vibrations et non poussiéreux.

Elles sont fournies dans leur emballage d'origine dans lequel elles doivent rester jusqu'au moment de l'installation. En cas contraire, veiller à boucher soigneusement les orifices d'aspiration et de refoulement.

### 5.2 Transport

Eviter de soumettre les produits à des chocs inutiles et à des collisions.

Pour le levage et le transport du groupe, se servir de chariots élévateurs en utilisant la palette fournie de série (si elle est prévue).

### 5.3 Poids

L'étiquette adhésive située sur l'emballage indique le poids total de la pompe.

## 6. AVERTISSEMENTS

### 6.1 Personnel spécialisé



**Il est conseillé de confier l'installation à du personnel spécialisé et qualifié, possédant les caractéristiques requises par les normes spécifiques en la matière.**

**Par personnel qualifié**, on désigne les personnes qui de par leur formation, leur expérience, leur instruction et leur connaissance des normes, des prescriptions, des mesures de prévention des accidents et des conditions de service, ont été autorisées par le responsable de la sécurité de l'installation à effectuer n'importe quelle activité nécessaire et durant celle-ci sont en mesure de connaître et d'éviter tout risque.

### 6.2 Sécurité

L'utilisation est autorisée seulement si l'installation électrique possède les caractéristiques de sécurité requises par les Normes en vigueur dans le pays d'installation du produit.

### 6.3 Contrôle rotation arbre moteur

Avant d'installer la pompe, il faut contrôler que les parties en mouvement tournent librement. Dans ce but enlever la protection ventilateur de l'emplacement du couvercle arrière du moteur; agir avec un tournevis dans la fente prévue à cet effet sur l'arbre moteur, côté ventilation. **En cas de blocage**, tourner le tournevis en frappant légèrement sur celui-ci avec un marteau. **Fig. A**

### 6.4 Responsabilités



**Le constructeur ne répond pas du bon fonctionnement des électropompes ou d'éventuels dommages provoqués par les pompes si celles-ci sont manipulées, modifiées et/ou utilisées hors des limites de travail conseillées ou sans respecter les autres dispositions contenues dans ce manuel.**

**Il décline en outre toute responsabilité pour les éventuelles inexactitudes contenues dans ce manuel d'instructions si elles sont dues à des erreurs d'impression ou de transcription. Il se réserve le droit d'apporter aux produits les modifications qu'il estimera nécessaires ou utiles, sans en compromettre les caractéristiques essentielles.**


**7. INSTALLATION**

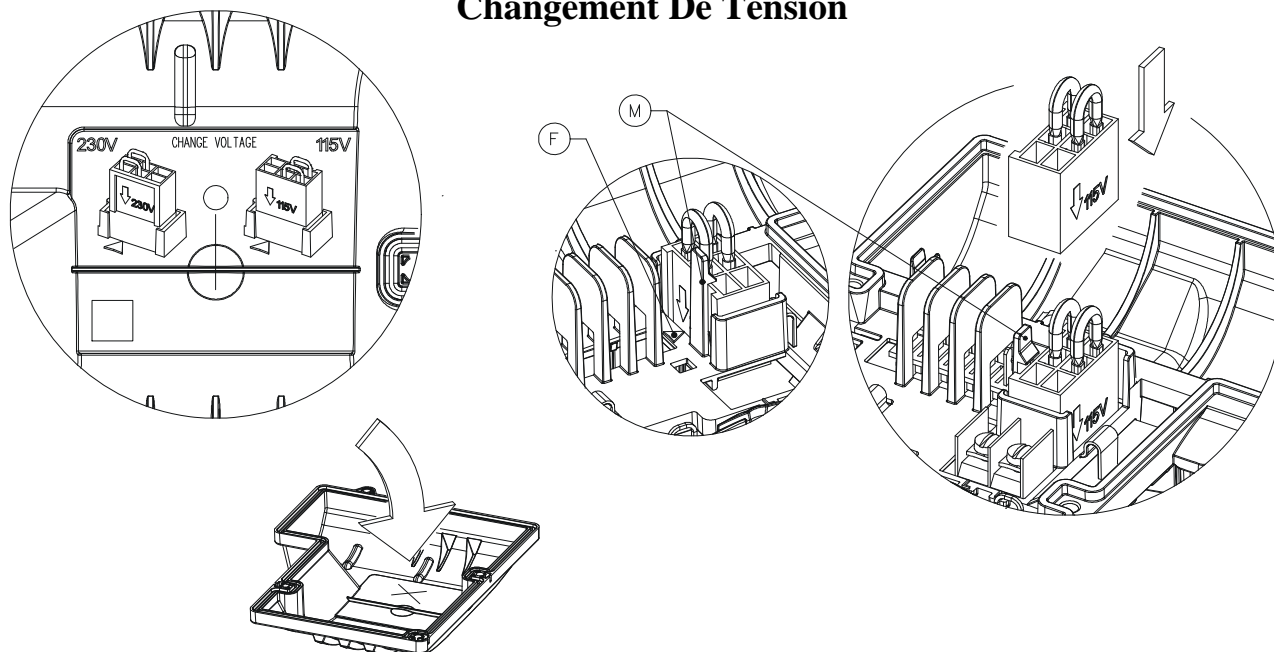
- 7.1 La pompe doit être installée dans un lieu bien aéré, protégé contre les intempéries et avec une température ambiante ne dépassant pas 40°C. **Fig. B**
- 7.2 Un solide ancrage de la pompe à la base d'appui favorise l'absorption d'éventuelles vibrations créées par le fonctionnement de la pompe. **Fig. C**
- 7.3 Eviter que les tuyauteries métalliques transmettent des efforts excessifs aux brides de la pompe pour ne pas créer de déformations ou de ruptures. **Fig. C**
- 7.4 Il est toujours conseillé de positionner la pompe le plus près possible du liquide à pomper. La pompe doit être installée exclusivement en position horizontale. Les tuyauteries ne doivent jamais être de diamètre interne inférieur à celui des brides de la pompe et en aspiration, il est conseillé d'installer un clapet de pied. **Fig D** Pour des profondeurs d'aspiration dépassant les 4 m. ou avec de longs parcours à l'horizontale, il est conseillé d'utiliser un tuyau d'aspiration d'un diamètre supérieur à celui de la bride aspirante de l'électropompe. Pour éviter la formation de poches d'air dans le tuyau d'aspiration, prévoir une légère pente positive du tuyau d'aspiration vers l'électropompe. **Fig.D**
- 7.5 Si le tuyau d'aspiration est en caoutchouc ou en matériau flexible, contrôler toujours qu'il est bien de type renforcé pour éviter les étranglements par effet de l'aspiration.
8. **BRANCHEMENT ÉLECTRIQUE:**  
**Attention: respecter toujours les normes de sécurité!**



Respecter rigoureusement les schémas électriques se trouvant à l'intérieur de la boîte à contacteurs.

Tous les travaux d'électricité devront être exécutés par un électricien qualifié dans le respect de la dernière édition du Code électrique national ainsi que des réglementations et des codes locaux.

- 8.1  S'assurer que la tension de secteur correspond à celle de la plaque du moteur à alimenter. Un moteur ou un enroulement défectueux peut causer des décharges mortelles en cas de contact direct ou de conduction à travers de l'eau stagnante. Pour cette raison, pour assurer la sécurité de l'installation et du fonctionnement, il faut raccorder la pompe à la terre à travers la borne de terre de l'alimentateur. Dans toutes les installations, il faut connecter le tuyau métallique externe de surface à l'alimentateur utilisé comme masse selon la description de l'article 250-80 du Code électrique national ou de l'article 26-954 du Code électrique Canadien.
- 8.2 Dans les installations fixes, les Normes Internationales prévoient l'emploi d'interrupteurs disjoncteurs avec base porte-fusibles.
- 8.3 Les moteurs monophasés sont munis de protection thermique ampèremétrique incorporée et peuvent être raccordés directement au secteur.

**Changement De Tension**

**MISE EN PLACE DU CONVERTISSEUR DE TENSION**

- Faire attention au voltage indiqué sur le côté du convertisseur de tension.
- Positionner l'indication du voltage désiré vers le côté de l'ergot de blocage "M".
- La flèche présente sur le convertisseur à côté du voltage désiré doit coïncider avec la flèche "F" présente sur la surface du logement.
- Insérer le convertisseur jusqu'au déclic de l'ergot de référence "M".

**9. MISE EN MARCHÉ**

9.1



**Ne pas mettre la pompe en marche sans l'avoir préalablement complètement remplie de liquide.**

Avant la mise en marche, contrôler que la pompe est régulièrement amorcée en effectuant son remplissage, avec de l'eau propre, à travers le trou prévu à cet effet sur le corps pompe, après avoir enlevé le bouchon de remplissage. Cette opération est fondamentale pour le parfait fonctionnement de la pompe et indispensable pour que le joint d'étanchéité mécanique soit bien lubrifié (**Fig. F**). **Le fonctionnement à sec provoque des dommages irréparables au joint d'étanchéité mécanique.** Le bouchon de remplissage devra être revissé soigneusement une fois l'opération terminée.

**10. PRÉCAUTIONS**

**10.1** La pompe ne doit pas être soumise à plus de 20 démarrages horaires de manière à ne pas exposer le moteur à des sollicitations thermiques excessives.

**10.2 DANGER DE GEL** : quand la pompe reste inactive pendant longtemps à une température inférieure à 0°C, il faut procéder à la vidange totale du corps de la pompe à travers le bouchon de vidange Fig. H, pour éviter d'endommager les composants hydrauliques. Cette opération est conseillée également en cas d'inactivité prolongée à une température normale.

**10.3** Pour mettre en marche la pompe après une longue inactivité, il faut répéter les opérations décrites ci-dessus.

**11. MAINTENANCE ET LAVAGE**

L'électropompe, lors du fonctionnement normal, n'a besoin d'aucun type de maintenance. Il peut être nécessaire toutefois de laver les parties hydrauliques quand on constate une certaine réduction des caractéristiques. **L'électropompe ne peut être démontée que par du personnel spécialisé et qualifié en possession des caractéristiques requises par les normes spécifiques en la matière.** Dans tous les cas, toutes les interventions de réparation et de maintenance doivent être effectuées seulement après avoir débranché la pompe.

**12. MODIFICATIONS ET PIÈCES DE RECHANGE**

**Le Constructeur décline toute responsabilité en cas de modification non autorisée au préalable.** Toutes les pièces de rechange utilisées dans les réparations doivent être originales et tous les accessoires doivent être autorisés par le constructeur, de manière à pouvoir garantir la sécurité maximum des machines et des installations dans lesquelles les pompes sont montées.

**12.1 Enlèvement et remplacement du câble**

**Avant de procéder, contrôler que la pompe n'est pas raccordée au secteur.**

Dévisser la vis du couvercle du pressostat à l'aide d'un tournevis et enlever le couvercle. Extraire le fil jaune-vert en dévissant la vis de terre, le fil bleu et le fil marron des bornes latérales respectives en desserrant les vis. Dévisser les vis du serre-câble et extraire le câble ainsi libéré.

**Le remplacement du câble d'alimentation doit être effectué en utilisant un câble du même type et ayant la même terminaison suivant l'ordre inverse au démontage.**

**ATTENTION:**

**Pour les câbles d'alimentation avec prise, prévoir un dispositif de désinsertion du circuit d'alimentation (par ex. relais magnéto-thermique) avec contacts de séparation d'au moins 0,12" pour chaque pôle.**

**13. INSTRUCTIONS POUR LE REGLAGE DES CONTACTEURS-MANO**

1. Déterminer la valeur de la pression d'enclenchement désirée (démarrage de la pompe).
2. Prégonfler le réservoir à vessie à 2,9 bar AU-DESSOUS de la valeur de la pression d'enclenchement.
3. Effectuer le réglage en suivant les indications ci-dessous à l'intérieur du de la boîte à contacteurs.

**14. IDENTIFICATION DES INCONVÉNIENTS ET REMÈDES**

INCONVÉNIENTS	VÉRIFICATION (causes possibles)	REMEDES
1. Le moteur ne démarre pas et ne fait pas de bruit.	A. Vérifier les connexions électriques. B. Vérifier que le moteur est sous tension. C. Vérifier les fusibles de protection. D. Vérifier que le contacteur est sous tensions.  E. Vérifier que la pression de prégonflage du réservoir n'est pas supérieure à celle d'enclenchement du contacteur-mano.	C. S'ils sont grillés, les remplacer. N.B.: la répétition immédiate éventuelle du problème signifie que le moteur est en court-circuit. E. Faire baisser la pression de prégonflage de 2,9 bar au-dessous de la pression d'enclenchement du contacteur-mano.
2. Le moteur ne démarre pas mais fait du bruit.	A. S'assurer que la tension du secteur correspond à celle de la plaque. B. Contrôler que les connexions ont été exécutées correctement. C. Vérifier la présence de toutes les phases dans la boîte à bornes (3 ~). D. Rechercher les raisons possibles d'un blocage de la pompe ou du moteur. E. Vérifier l'état du condensateur.	B. Corriger les éventuelles erreurs. C. Si ce n'est pas le cas, rétablir la phase manquante. D. Éliminer les obstructions. E. Remplacer le condensateur.
3. La pompe tourne avec difficulté.	A. S'assurer que la tension d'alimentation est suffisante. B. Vérifier les frottements entre parties mobiles et parties fixes.	B. Éliminer la cause du frottement.
4. La pompe ne refoule pas.	A. La pompe n'a pas été amorcée correctement. B. Tuyau d'aspiration avec diamètre insuffisant. C. Clapet de pied bouché.	A. Remplir d'eau la pompe et le tuyau d'aspiration si elle n'est pas auto-amorçable et effectuer l'amorçage. B. Remplacer le tuyau avec un autre de diamètre supérieur. C. Nettoyer le clapet de pied.
5. La pompe ne s'amorce pas.	A. Le tuyau d'aspiration ou le clapet de pied aspirent de l'air. B. La pente négative du tuyau d'aspiration favorise la formation de poches d'air.	A. Éliminer le problème et répéter l'opération d'amorçage. B. Corriger l'inclinaison du tuyau d'aspiration.
6. La pompe refoule à un débit insuffisant.	A. Le clapet de pied est bouché. B. La roue est usée ou bouchée. C. Tuyau d'aspiration avec diamètre insuffisant.	A. Nettoyer le clapet de pied. B. Éliminer les obstructions et remplacer les pièces usées. C. Remplacer le tuyau avec un autre de diamètre supérieur.
7. La pompe vibre et a un fonctionnement bruyant.	A. Vérifier que la pompe et les tuyaux sont bien fixés. B. Il y a cavitation dans la pompe, c'est-à-dire que la demande d'eau dépasse ce que la pompe parvient à pomper. C. La pompe fonctionne au-delà des limites indiquées sur la plaque.	A. Fixer avec plus de soin les parties desserrées. B. Réduire la hauteur d'aspiration ou contrôler les pertes de charge. C. Il peut être utile de limiter le débit en refoulement.
8. Le moteur ne s'arrête pas quand le passage d'eau est terminé.	A. Vérifier que la pression de déclenchement du contacteur ne soit pas supérieure à celle que peut générer la pompe (H.M.T. totale, aspiration + refoulement). B. Vérifier que les contacts du pressostat sont libres dans leur mouvement.	A. Abaisser la pression de déclenchement du contacteur-mano. B. Si ce n'est pas le cas, remplacer le pressostat.
9. Le contacteur marche en "mitrailleuse" durant le puisage de l'eau.	A. Vérifier le réglage du contacteur qui est sans doute trop bas.  B. Vérifier l'intégrité de la membrane du vase d'expansion (si ce dernier est utilisé).	A. Augmenter les valeurs de réglage du contacteur jusqu'à la disparition du phénomène. Ne pas oublier ensuite de revoir le prégonflage du réservoir en fonction de la nouvelle pression d'enclenchement du contacteur-mano. B. Si ce n'est pas le cas, éliminer l'inconvénient.

	CONTENIDO	Página
1.	DATOS GENERALES	11
2.	EMPLEOS	11
3.	LÍQUIDOS BOMBEADOS	11
4.	DATOS TÉCNICOS Y LÍMITES DE USO	11
5.	GESTIÓN	12
5.1.	Almacenaje	12
5.2.	Transporte	12
5.3.	Pesos	12
6.	ADVERTENCIAS	12
6.1.	Personal especializado	12
6.2.	Seguridad	12
6.3.	Control de la rotación del eje motor	12
6.4.	Responsabilidad	12
7.	INSTALACIÓN	13
8.	CONEXIÓN ELÉCTRICA	13
9.	PUESTA EN MARCHA	14
10.	PRECAUCIONES	14
11.	MANTENIMIENTO Y LIMPIEZA	14
12.	MODIFICACIONES Y PIEZAS DE REPUESTO	14
12.1	Desmontaje y sustitución del cable de alimentación	14
13.	INSTRUCCIONES PARA REGULAR EL PRESÓSTATO	14
14.	BÚSQUEDA Y REMEDIO DE LOS INCONVENIENTES	15

## 1. DATOS GENERALES



Antes de llevar a cabo la instalación, leer atentamente esta documentación. Tanto la instalación como el funcionamiento cumplirán las normas de seguridad del país donde se monte el producto. Todas las operaciones serán llevadas a cabo según las normas del bien hacer.

El incumplimiento de las normas de seguridad, además de constituir un peligro para la incolumidad de las personas y provocar daños a los aparatos, anulará todo derecho a intervenciones cubiertas por la garantía.

## 2. EMPLEOS

**JET - JETINOX - JETCOM:** bombas centrífugas de impulsión de autocebado con excelente capacidad de aspiración incluso con gas mezclado al agua. Es muy conveniente para suministros de agua y presurización en las casas. Son aconsejadas para pequeños empleos agrícolas así como para huertos, jardinería, emergencias para casa y usos industriales.

**EURO - EUROINOX - EUROCOM:** bomba centrífuga pluriestadio con autocebado, con eje horizontal, sirve para trabajos para la casa o industriales, para plantas hídricas de suministro y presurización. Se emplea también para riegos de pequeñas zonas y lavado de herramientas y maquinaria. Funciona asimismo con agua que contiene gas. La recirculación del agua se produce sólo en fase de cebado, y a continuación se puede utilizar el caudal máximo con distribución continua y constante. Debido a las mencionadas cualidades se puede usar en un sinnúmero de ocasiones.

**K :** bombas centrífugas monocelulares destinadas a instalaciones domésticas, civiles, industriales y para la agricultura, decantado, mezcla y riego.

**DP :** bombas centrífugas con autocebado para aspiraciones a gran profundidad, hasta 30 metros, con inyector a introducir en los pozos de 4" o mayores. Sirve para el suministro hídrico de casas colónicas y para trabajos ligeros de agricultura.

## 3. LÍQUIDOS BOMBEADOS



La máquina ha sido diseñada y fabricada para bombear agua sin sustancias explosivas ni partículas sólidas o fibras, con una densidad de 61,31 lb/ft<sup>3</sup> y viscosidad cinemática de 1,0764×10<sup>-5</sup> ft<sup>2</sup>/s, así como líquidos no agresivos químicamente.

## 4. DATOS TÉCNICOS Y LÍMITES DE USO

- Tensión de alimentación: 1 X 115/230V 60Hz | Ver la placa de datos eléctricos
- Potencia absorbida: Ver la placa de datos eléctricos
- Caudal: de 0,4 a 17,2 m<sup>3</sup>/h
- Altura de elevación: Hasta 72 m.

- **Líquido bombeado:** limpio, sin cuerpos sólidos o abrasivos, no agresivo.
- **Clase de protección:** F

<b>Presión máxima de ejercicio:</b>	6 bar (600 kPa):	JETCOM EURO-EUROINOX-EUROCOM K DP
	8 bar (800 kPa):	JET-JETINOX
<b>Máxima temperatura del líquido:</b>	0 ÷ +35°C:	Para todas las electrobombas homologadas EN 60335-2-41 (uso doméstico)
	0 ÷ +40°C:	JET-JETINOX-JETCOM DP
	-10 ÷ +50°C:	K

- **Temperaturas de almacenaje:** -10°C +40°C
- **Humedad relativa del aire:** MÁX. 95%

## 5. GESTIÓN

### 5.1 Almacenaje

Todas las electrobombas serán almacenadas en un lugar cubierto, seco y, de ser posible, con humedad del aire constante, sin vibraciones ni polvo. Se suministran con su embalaje original, que no será quitado hasta el momento de la instalación. De no ser esto posible, los puntos de toma y de descarga estarán bien cerrados.

### 5.2 Transporte

Hay que evitar choques inútiles a estos productos así como golpes.

Para izar y transportar el aparato utilizar los equipos destinados a ello y el pallet estándar en equipamiento (si es aplicable).

### 5.3 Pesos

La placa adhesiva colocada en el embalaje indica el peso total de la electrobomba.

## 6. ADVERTENCIAS

### 6.1 Personal especializado



**Es conveniente que la instalación sea realizada por personal competente y cualificado, que posea los requisitos técnicos exigidos en las normas específicas en materia.**

**Por personal cualificado** se entiende aquellas personas que, gracias a su formación, experiencia e instrucción, además de conocer las normas correspondientes, prescripciones y disposiciones para prevenir accidentes así como las condiciones de servicio, han sido autorizadas por el responsable de la seguridad de la instalación a realizar cualquier actividad necesaria de la cual conozcan todos los peligros y la forma de evitarlos.

### 6.2 Seguridad

Se permitirá su empleo única y exclusivamente si la instalación eléctrica cuenta con las medidas de seguridad según las normas vigentes locales.

### 6.3 Control de la rotación del eje motor

Antes de instalar la electrobomba, se comprobará que las partes en movimiento giren sin impedimentos. Para ello, quitar el cubreventilador situado en la tapa del extremo del motor. Insertar un destornillador en la muesca puesta en el eje del motor en la parte de ventilación. De resultar bloqueado, girar el destornillador con ligeros golpes de martillo. **Fig.A**

### 6.4 Responsabilidad



**El fabricante no responde del funcionamiento de las electrobombas ni de los posibles daños causados por ellas, en el caso de manipulación indebida o de modificaciones, o si se utilizan sin cumplir los datos de trabajo aconsejados u otras disposiciones que figuren en este manual.**

**Declina asimismo toda responsabilidad por las posibles inexactitudes contenidas en este manual, debidas a errores de impresión o de transcripción. Se reserva el derecho de aportar a los productos aquellas modificaciones que considere necesarias o útiles sin perjudicar las características esenciales.**

**7. INSTALACIÓN**

- 7.1 La electrobomba estará montada en un local bien ventilado, protegida contra los agentes atmosféricos y con temperatura ambiente no superior a 40°C. Fig.B
- 7.2 La sujeción firme de la electrobomba en la superficie de apoyo favorece la absorción de las vibraciones ocasionadas por el funcionamiento del aparato. Fig. C
- 7.3 Comprobar que los tubos metálicos no apoyen su peso sobre las aberturas a fin de no provocar deformaciones o roturas. Fig. C
- 7.4 **Es una buena norma colocar la electrobomba lo más cerca posible del líquido a bombear.** Se posicionará sólo horizontalmente. Los diámetros interiores de los tubos no deberán ser nunca inferiores a los de la boca de la electrobomba. Es conveniente instalar en la aspiración una válvula de fondo. Fig. D Para aspiraciones a una profundidad de más de 4 m. o con tramos largos horizontales, se aconseja el uso de un tubo de aspiración de diámetro superior al de la abertura de aspiración de la electrobomba. Para evitar la formación de bolsas de aire el tubo de aspiración tendrá una inclinación ligeramente hacia arriba, hacia la electrobomba. Fig. D
- 7.5 Si el tubo de aspiración es de goma o material flexible, comprobar siempre que sea de tipo reforzado para evitar estrangulamientos ocasionados por la aspiración.

**8. CONEXIÓN ELÉCTRICA**

**¡Cuidado! Hay que cumplir siempre las normas de seguridad.**



**Seguir los esquemas eléctricos puestos en el interior de la caja de presión.**

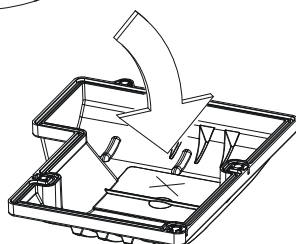
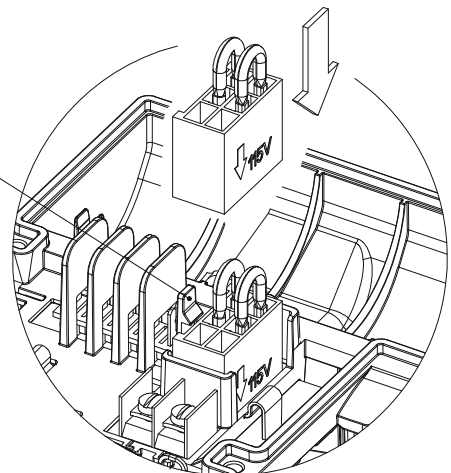
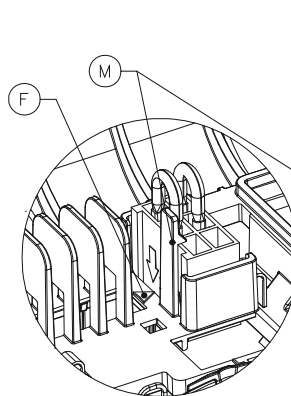
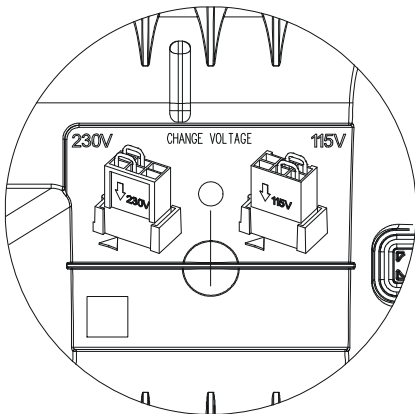
- 8.1 La instalación eléctrica deberá ser efectuada por un electricista cualificado, conforme a la edición más reciente de las Normas Nacionales de Electricidad, a las normas locales y a los reglamentos.



**Comprobar que la tensión de red corresponda a la indicada en la placa del motor. Un motor o un bobinado defectuosos pueden ocasionar descargas eléctricas incluso mortales, tanto directas como conducidas a través de agua estancada. Por esta razón, para una instalación segura se requiere una puesta a tierra apropiada de la electrobomba en el borne de tierra de la alimentación eléctrica; las cañerías metálicas exteriores se deberán conectar a la alimentación eléctrica como conductores de tierra, según las indicaciones del artículo 250-80 de la Normativa nacional de Electricidad o en la Sección 26-954 de la normativa canadiense.**

- 8.2 Los Estándares Internacionales de Seguridad requieren para las instalaciones fijas el empleo de interruptores aislados con base portafusibles.
- 8.3 Los motores monofásicos están provistos de protección termo-amperométrica y se pueden conectar directamente a la red.

**Conmutación de tensión**



## INSERCIÓN DEL CONVERTIDOR DE TENSION

- Prestar atención al voltaje indicado al lado del convertidor de tensión.
- Colocar el indicador del voltaje deseado hacia el lado del diente de bloqueo “M”.
- La flecha puesta en el convertidor al lado del voltaje deseado, debe coincidir con la flecha “F” puesta en la superficie de alojamiento.
- Insertar el convertidor hasta que el diente de referencia “M” haga clic.

### 9. PUESTA EN MARCHA

9.1



**No poner en marcha la electrobomba de no estar llena completamente de líquido.**

Antes de la puesta en marcha comprobar que la electrobomba esté cebada apropiadamente: llenarla completamente con agua limpia a través del tapón de llenado puesto en el cuerpo de la bomba; esto garantiza que la junta mecánica de estanqueidad esté bien lubricada y que la bomba empiece inmediatamente a funcionar. (Fig. F). **El funcionamiento en seco puede ocasionar daños irreparables a dicha junta mecánica.** A continuación se enroscará otra vez el tapón de llenado en su sitio.

### 10. PRECAUCIONES

10.1

La electrobomba no será sometida a más de 20 arranques / hora con el fin de no someter el motor a excesivos esfuerzos térmicos.

10.2

**PELIGRO DE CONGELACIÓN:** en el caso de inactividad de la electrobomba con temperatura inferior a 0°C, se deberá vaciar completamente a través del tapón de descarga Fig. H, para impedir que se formen grietas en los componentes hidráulicos. Esta operación es aconsejable incluso en caso de inactividad prolongada con temperatura normal.

10.3

Al poner en marcha la electrobomba tras largos periodos de inactividad, se repetirán las operaciones indicadas arriba.

### 11. MANTENIMIENTO Y LIMPIEZA



En su funcionamiento normal la electrobomba no requiere ningún tipo de mantenimiento. De cualquier modo, de comprobarse que el rendimiento es inferior al normal, podría ser necesario limpiar las partes hidráulicas. **El desmontaje de la electrobomba será efectuado sólo por personal especializado y cualificado que posea los requisitos impuestos por las normas específicas en materia.** De cualquier modo, todas las operaciones de reparación y mantenimiento se efectuarán sólo tras haber desconectado la electrobomba de la toma de corriente.

### 12. MODIFICACIONES Y PIEZAS DE REPUESTO



**Cualquier modificación sin previa autorización libera al fabricante de toda responsabilidad.** Todas las piezas de repuesto utilizadas para las reparaciones serán originales y todos los accesorios tendrán que ser los autorizados por el fabricante, a fin de garantizar la máxima seguridad de las máquinas e instalaciones donde estén montados.

#### 12.1 Desmontaje y sustitución del cable de alimentación



**Antes del desmontaje y sustitución comprobar que la electrobomba no esté conectada a la red de energía eléctrica.**

Extraer el tornillo de la tapa del presóstato con un destornillador y quitar la tapa. Quitar el hilo amarillo-verde aflojando el tornillo de tierra, así como el hilo azul y el marrón aflojando los tornillos de los respectivos bornes. Quitar el borne de bloqueo del cable aflojando antes los respectivos tornillos y sacar el cable, que estará así desconectado.

**Se sustituirá el cable de alimentación con otro del mismo tipo y con los mismos bornes, siguiendo las operaciones de desinstalación pero en orden inverso.**

**¡CUIDADO!:**

**Respecto a cables eléctricos con enchufe, montar un dispositivo de desconexión de la red eléctrica (ej. un interruptor magnetotérmico) con contactos de separación de al menos 0,12” para cada polo.**

### 13. INSTRUCCIONES PARA REGULAR EL PRESÓSTATO

1. Fijar el mínimo valor de presión deseado (en salida de la electrobomba).
2. Regular la presión de precarga del depósito de almacenaje 2,9 bar menos que el nivel mínimo de presión.
3. Calibrarlo según las indicaciones dadas abajo, en el interior de la caja de presión.



**14. BÚSQUEDA Y REMEDIO DE LOS INCONVENIENTES**

INCONVENIENTES	COMPROBACIONES (causas posibles)	REMEDIOS
1. El motor no arranca y no hace ruido.	A. Verificar las conexiones eléctricas. B. Verificar que el motor tenga corriente. C. Verificar los fusibles de protección. D. Verificar que el presóstato tenga corriente. E. Comprobar que la presión de precarga del depósito no sea superior al valor mínimo del presóstato.	C. De estar fundidos, sustituirlos. N.B. Si el fallo se repite inmediatamente, significa que el motor está cortocircuitado. E. Regular la presión de precarga 2,9 bar menos que el valor mínimo del presóstato.
2. El motor no arranca pero hace ruido.	A. Comprobar que la tensión de red coincida con el valor indicado en la placa de datos. B. Comprobar que la conexión sea correcta. C. Controlar que estén presentes en el tablero de bornes todas las fases (3~). D. Comprobar si la electrobomba o el motor están bloqueados. E. Controlar el estado del condensador.	B. Corregir los errores. C. De no ser así, restablecer la fase que falta. D. Eliminar el bloqueo. E. Sustituir el condensador.
3. El motor gira con dificultad.	A. Controlar el voltaje pues podría ser insuficiente. B. Comprobar que las partes en movimiento no rocen contra las partes fijas.	B. Eliminar la causa del rozamiento.
4. La electrobomba no suministra.	A. No se ha cebado la electrobomba apropiadamente. B. El diámetro del conducto de aspiración es insuficiente. C. Válvula de fondo atascada.	B. Sustituir el tubo con otro de mayor diámetro. C. Limpiar la válvula de fondo.
5. La electrobomba no se ceba.	A. Hay infiltraciones de aire en el conducto de aspiración o en la válvula de fondo. B. La inclinación negativa del tubo de aspiración favorece la formación de bolsas de aire.	A. Corregir el problema y cebar otra vez. B. Corregir la inclinación del conducto de aspiración.
6. La electrobomba suministra un caudal insuficiente.	A. Válvula de fondo atascada. B. El impulsor está desgastado o bloqueado. C. El diámetro del conducto de aspiración es insuficiente.	A. Limpiar la válvula de fondo. B. Quitar las obstrucciones o sustituir las partes desgastadas. C. Sustituir el tubo con otro de mayor diámetro.
7. La electrobomba vibra y hace mucho ruido al funcionar.	A. Comprobar que tanto la electrobomba como los tubos estén bien sujetos. B. Hay cavitación en la electrobomba, o sea, el requerimiento de agua es superior a la que puede bombear. C. La electrobomba funciona con valores superiores a los indicados en la placa de datos.	A. Fijar las piezas aflojadas con cuidado. B. Reducir la altura de elevación o controlar que no haya pérdidas de carga. C. Podría ser útil limitar el caudal en la impulsión.
8. El motor no se para al cesar el requerimiento de agua.	A. Comprobar que el valor de regulación del presóstato para parar el motor no sea superior a la presión que la electrobomba puede generar (aspiración + impulsión). B. Controlar que los contactos del presóstato se muevan libremente.	A. Regular el presóstato con una presión menor. B. Si no, cambiar el presóstato.
9. El presóstato arranca y se para frecuentemente durante el suministro normal de agua.	A. Controlar la regulación del presóstato, que seguramente será muy baja. B. Comprobar que no esté rota la membrana del vaso de expansión (de haberlo).	A. Aumentar los valores de regulación del presóstato hasta resolver el problema. No olvidar de restablecer la presión mínima de intervención. B. Si no, eliminar el fallo.



---

