

DRENAG 1000 - 1200

SUBMERSIBLE PUMPS



Submersible electric pump in AISI 304 Stainless Steel: pump body, impeller, motor flange, filter and filter cover, motor casing, outer casing with handle, cable compartment cover.

Shaft in AISI 316 stainless steel.

Handle coated with insulating rubber. **Double mechanical seal** with oil chamber interposed, carbon/alumina on motor side and silicon/silicon carbide on pump side. **Dry motor**, asynchronous, watertight, cooled by the pumped liquid itself. Standard thermal protection in the winding. Capacitor permanently on in the single-phase version. 33 ft power cables

All models can be supplied either with or without float. In compliance with CSA Standards C22.2 No.108 - 14, UL Standard No. 778.

Operating range

from 13.2 to 105.37 gpm (3 to 24 m³/h) with head up to 57 ft (17.5 m)

Liquid temperature range

from 32°F to +95°F (0°C to +35°C) for domestic use from 32°F to +122°F (0°C to +50°C)

Pumped liquid characteristics

rain water, ground water, sandy water from building yards and clean waste waters, not aggressive

Maximum working temperature

+104°F (40°C) with the motor out of the water

Free passage through the suction grid 0.4" (10mm)

Maximum immersion depth 23 ft (7 m)

Protection level IP 68

Insulation class F

Installation fixed or portable, in a vertical position

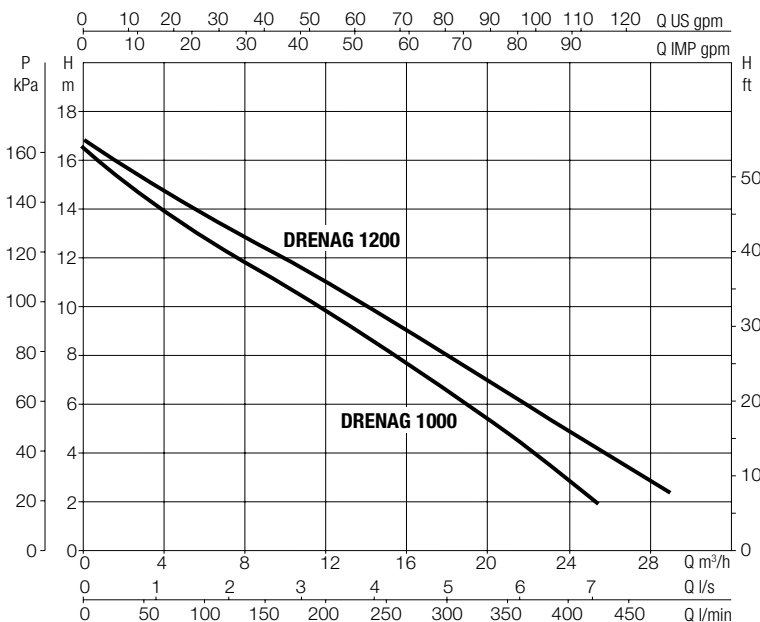


ACCESSORIES
PAG. 149

TECHNICAL DATA

MODEL	CODE	ELECTRICAL DATA						
		VOLTAGE 60 Hz	P1 MAX kW	P2 NOMINAL		In A	CAPACITOR	
				kW	HP		μF	Vc
DRENAG 1000 MA	60193466	1 ~ 220-230V	1.43	1	1.36	6.63	25	450
DRENAG 1000 MNA	60193468	1 ~ 220-230V	1.43	1	1.36	6.63	25	450
DRENAG 1000 TNA	60193470	3 ~ 220-277V	1.58	1	1.36	2.51	-	-
DRENAG 1200 MA	60193467	1 ~ 220-230V	1.65	1.2	1.6	8.63	30	450
DRENAG 1200 MNA	60193469	1 ~ 220-230V	1.65	1.2	1.6	8.63	30	450
DRENAG 1200 TNA	60193471	3 ~ 220-277V	1.66	1.2	1.6	3.34	-	-

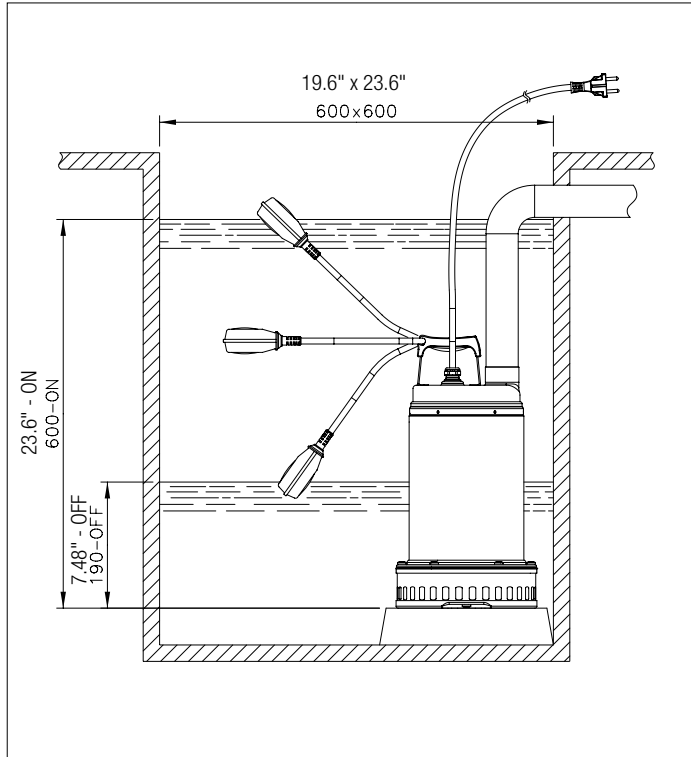
RANGE PERFORMANCE



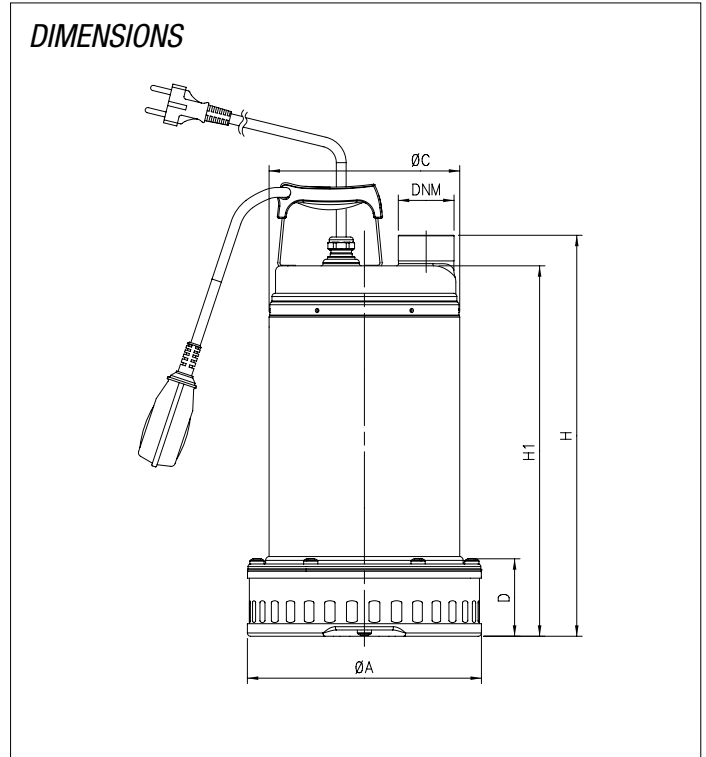
DRENAG 1000 - 1200

SUBMERSIBLE PUMPS

INSTALLATION



DIMENSIONS



DIMENSIONS AND WEIGHT

MODEL	UNITS	Ø A	Ø B	H	H1	Ø DNM (NPT)	PACKING DIMENSIONS			CABLE LENGTH	FREE PASSAGE	WEIGHT
							L/A	L/B	H			
DRENAG 1000	inch	8.5	6.9	2.8	15.2	1" ½	9.4	23.6	9.8	33 ft	0.4	37.5 lbs
	mm	215	175	71	385		240	600	250	10 m	10	17
DRENAG 1200	inch	8.5	6.9	2.8	15.2	1" ½	9.4	23.6	9.8	33 ft	0.4	40.8 lbs
	mm	215	175	71	385		240	600	250	10 m	10	18.5