

# 4TW

## SUBMERSIBLE MOTOR 4"



4" Asynchronous two-poles submersible motor, made in AISI 304 stainless steel for parts in contact with water. Cooling and lubrication of the thrust bearing assembly and carbon bushes is provided by a mixture of water and glycol. Squirrel-cage rotor mounted on Kingsbury self-centring thrust bearing. Stator housed in an airtight stainless steel casing (canned-type) with both flanges and shell in AISI 304L stainless steel.

On request is available the **4TWX** version made entirely in stainless steel AISI 316.

Removable cable connector to allow fast and easy maintenance. The cable is certified ACS, WRAS and KTW. Motor suitable for use with variable frequency drive (30 Hz – 50/60 Hz). The capacitor is placed in the Noryl cartridge directly connected to the motor, so the motor doesn't require an external control box. Thermal protection included in the motor from 0.5 HP to 1.5 HP in the 50 Hz version, from 0.5 HP to 1 HP in the 230 V - 60 Hz version.

**Flange** NEMA 4"

**Insulation class** F

**Protection class** IP68

**Cooling flow speed** 1.0 ft/sec @ 95 °F

**Power supply tolerance** + 6 % / -10 %

**Max. starts** 20/h

**Max operating depth** 984 ft

**Horizontal operation** 0.5 HP - 1.5 HP

**Motor maximum diameter** 3.9"



### TECHNICAL DATA - SINGLE PHASE MOTORS

MODEL	CODE	V [V]	P2		SF	In [A]	In (SF) [A]	Is/In	Cs/Cn	P1 [W]	N [min <sup>-1</sup> ]	Cos φ	η %	C [μF]	Ø [AWG]	LC [ft]
			[HP]	[kW]												
<b>4TW - 0.5 HP</b>	60174194	115	0.5	0.37	1.6	8.6	10	4.2	0.65	800	3450	0.88	46	80	3x14	5½
<b>4TW - 0.5 HP</b>	60174195	230			1.6	3.9	5	4.6	0.65	800	3450	0.88	46	20	3x14	5½
<b>4TW - 0.75 HP</b>	60174196	230	0.75	0.55	1.5	6.3	6.9	4.3	0.65	1200	3450	0.82	47	25	3x14	5½
<b>4TW - 1 HP</b>	60174197	230	1	0.75	1.4	7.7	8.8	4.8	0.68	1500	3450	0.84	50	35	3x14	5½
<b>4TW - 1.5 HP</b>	60174198	230	1.5	1.1	1.3	11.8	12.7	4.7	0.7	2120	3450	0.85	53	40	3x14	5½

- V: Rated voltage
- P2: Rated output
- SF: Service factor
- In: Rated current
- In (SF): Service factor current
- Is/In: Locked rotor current/Rated current
- Cs/Cn: Locked rotor Torque/Rated Torque
- P1: Power consumption
- N: R.P.M
- Cos φ: Power factor
- η: Efficiency
- C: Capacitor
- Ø: Cable section
- LC: Cable length

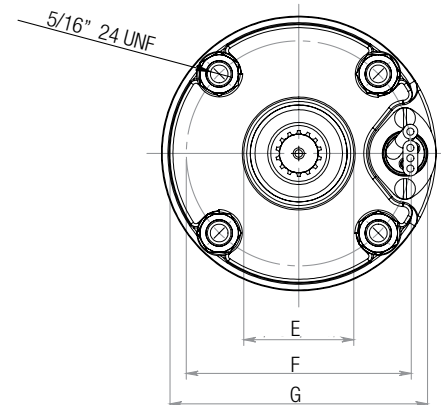
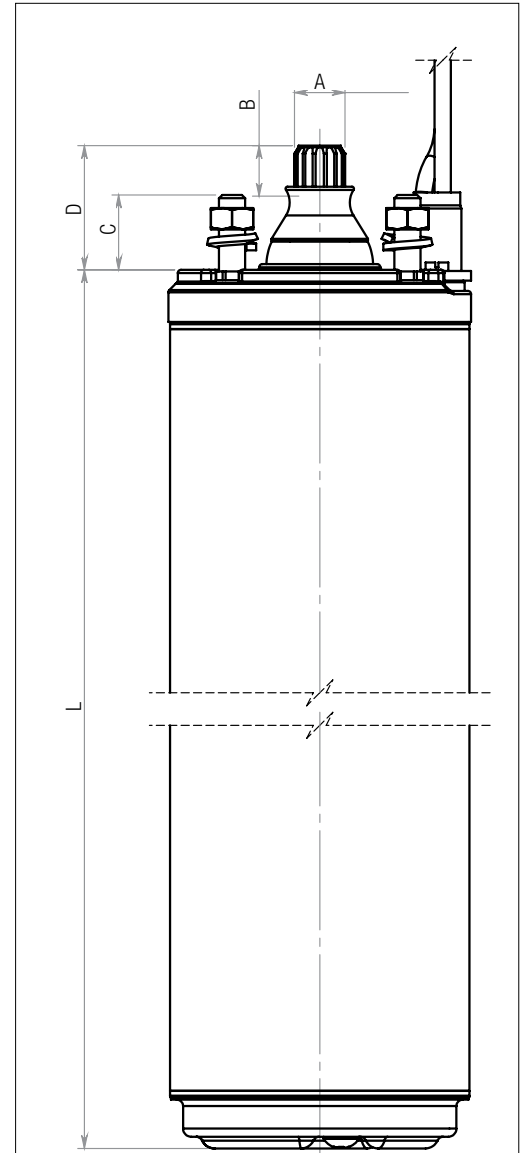
# 4TW

## SUBMERSIBLE MOTOR 4"


### DIMENSIONS AND WEIGHTS - SINGLE PHASE MOTORS

MODEL	L LENGTH inch	WEIGHT lbs	AXIAL THRUST lbf	Q.TY x PALLET
4TW - 0.5 HP - 0.37kW	13.425	21.4	500	N/A
4TW - 0.5 HP - 0.37kW	13.031	21.0	500	N/A
4TW - 0.75 HP - 0.55kW	13.819	23.2	500	N/A
4TW - 1 HP - 0.75kW	16.772	28.9	700	N/A
4TW - 1.5 HP - 1.1kW	18.543	33.3	700	N/A

POS.	inch
A	0.61
B	0.591
C	0.906
D	1 1/2"
E	1.465
F	3"
G	3.437



### USA VERSION

KIT CABLE CONNECTOR	DESCRIPTION	CODE
	<b>KIT CABLE - FT 5,58</b> <ul style="list-style-type: none"> <li>• CABLES WITH DIFFERENT LENGTH</li> <li>• DIFFERENT SUPPLY VOLTAGES</li> <li>• CSA CERTIFIED VERSION</li> </ul>	60141970

