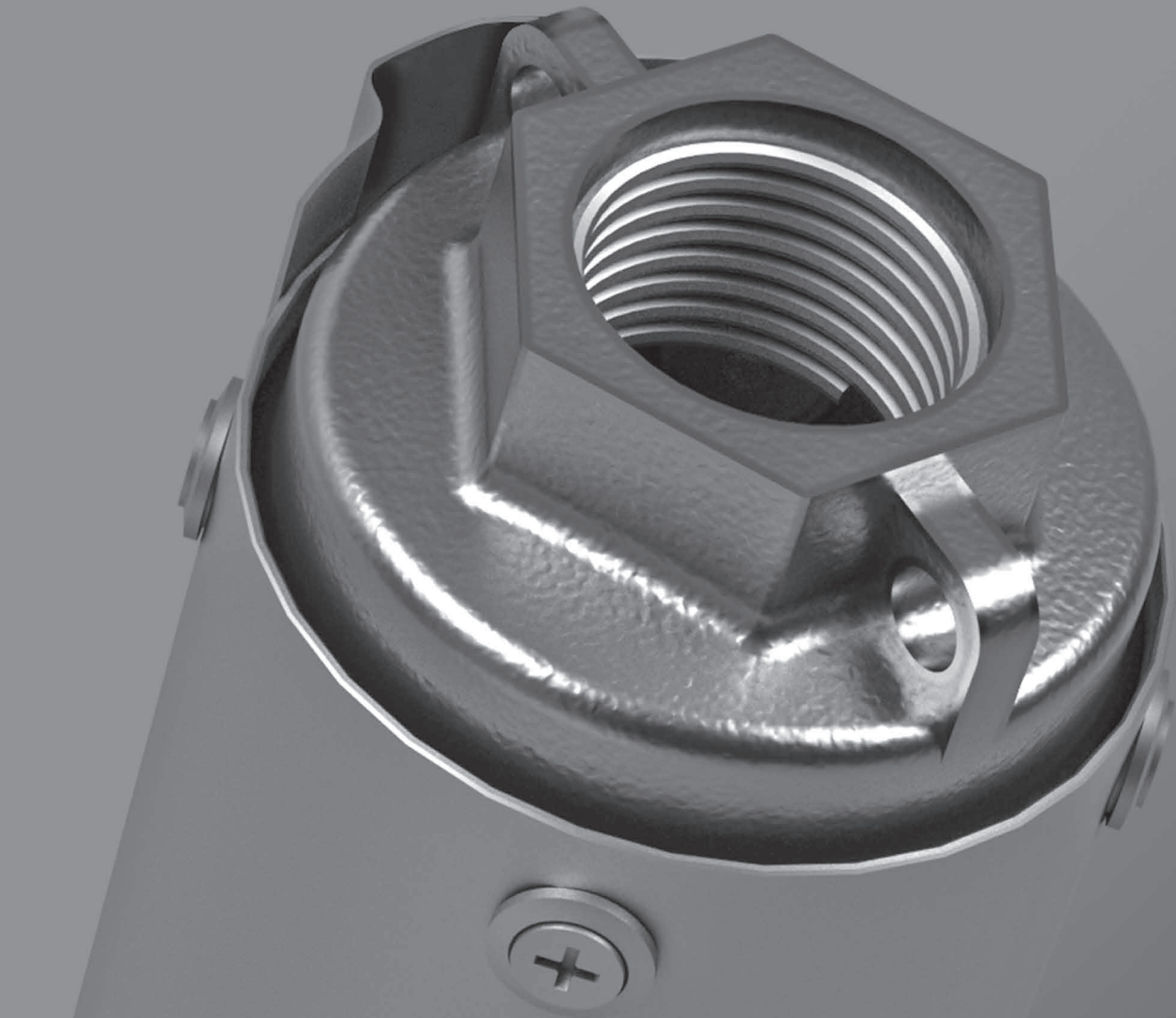


# S3 60Hz

SUBMERSIBLE PUMPS AND MOTORS





### TECHNICAL DATA

**Flow rate maximum:** from 3 GPM to 18 GPM

**Head up to:** 538ft

**Maximum immersion depth:** 490 ft

**Type of pumped liquid:** clean, free from solid or abrasive substances, non-viscous, non-aggressive, non-crystallized and chemically neutral.

**Liquid temperature range:** min 0°C/32°F - max 40°C/104°F

**Delivery:** 1" 1/4 NPT

**Impeller/s material:** technopolymer

**Maximum number of starts:** 20/h

**Protection class:** IP 68

**Motor insulation class:** F

**Power cable (m) and plug:** 5ft/1.5m

**Single phase power input:** 230V(±6%) 60 Hz

**Three phase power input:** not available

**Possible type of installation:** in vertical position. If it is installed in horizontal position it is necessary to ensure a minimum load on the thrust unit and the cooling sleeve.

**Certification:** CSA, NSF

3" submersible multi-impeller pump for 3" or larger wells for pressurization, lifting water from underground, gardening and irrigation activities in residential building service. Ready-to-use pump.

### CONSTRUCTION FEATURES OF THE PUMP

Technopolymer impellers housed with stainless steel adjustment rings. Pump liner, shaft, coupling with motor, integrated suction filter and cable guard are in stainless steel. Suction and delivery supports in micro-cast AISI 304 stainless steel. Removable built-in non-return valve in technopolymer. Technopolymer impellers. NSF61 approved.

### CONSTRUCTION FEATURES OF THE MOTOR

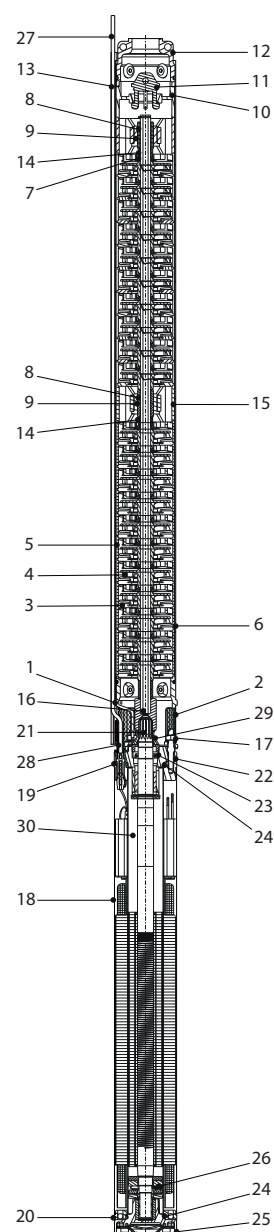
Two-pole asynchronous motor completely made of AISI 304 stainless steel. Two wire version. The thrust block and bushes are cooled and lubricated with a mixture of water and glycol. Rotor mounted on a Kingsbury type self-centering thrust block capable of withstanding high axial loads. The stator is immersed in thermosetting insulating resin with high heat dissipation capacity and encapsulated in an airtight AISI 304 stainless steel casing.

**Removable cable connector CSA approved, motor suitable for use with variable frequency drive (30 Hz - 60 Hz).**

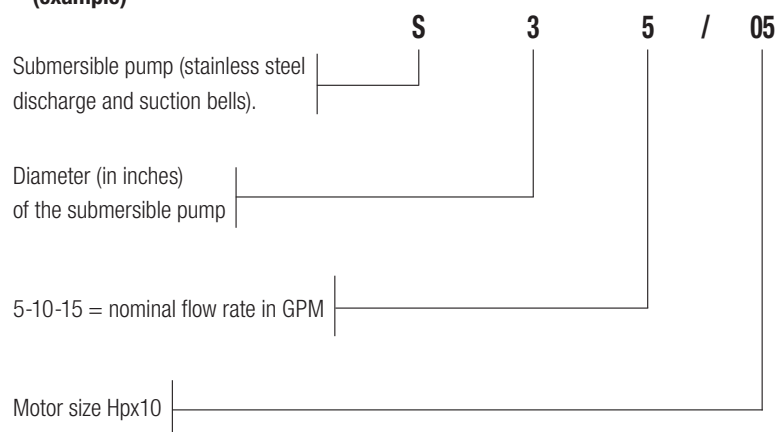
### MATERIALS

N°	PART*	MATERIALS
<b>PUMP</b>		
1	LOWER SUPPORT*	PRECISION-CAST STAINLESS STEEL AISI 304
2	FILTER*	STAINLESS STEEL AISI 304
3	STAGE HOUSING*	PPE + PS 20GF WITH WEARING RING AISI 304
4	IMPELLER*	PPE + PS 20GF
5	DIFFUSER*	PPE + PS 20GF
6	OUTER SLEEVE*	STAINLESS STEEL AISI 304
7	WEARING GASKET*	TPU RUBBER
8	SHAFT SLEEVE*	STAINLESS STEEL AISI 304
9	BUSH BEARING*	TPU RUBBER
10	UPPER SUPPORT*	PPE + PS 20GF
11	NON-RETURN VALVE*	PPE + PS 20GF
12	DELIVERY PORT*	PRECISION-CAST STAINLESS STEEL AISI 304
13	CABLE GUARD*	STAINLESS STEEL AISI 304
14	INTERMEDIATE SHAFT SLEEVE*	STAINLESS STEEL AISI 304
15	INTERMEDIATE SUPPORT*	PPE + PS 20GF
16	SHAFT WITH COUPLING*	STAINLESS STEEL AISI 304
<b>MOTOR</b>		
17	SCREWS*	STAINLESS STEEL AISI 304
18	OUTER SLEEVE*	STAINLESS STEEL AISI 304
19	UPPER STATOR FLANGE*	STAINLESS STEEL AISI 304
20	LOWER STATOR FLANGE*	STAINLESS STEEL AISI 304
21	MOTOR SHAFT END*	STAINLESS STEEL AISI 304
22	UPPER MOTOR SUPPORT*	STAINLESS STEEL AISI 304
23	LIP SEAL*	NBR
24	GASKET*	NBR
25	LOWER MOTOR SUPPORT*	STAINLESS STEEL AISI 304
26	THRUST BEARING MOTOR	STAINLESS STEEL-GRAPHITE
27	CABLE*	EPDM
28	CONNECTING PLUG*	STAINLESS STEEL AISI 304
29	SAND GUARD*	NBR
30	COOLING LIQUID	ANTIFREEZE + WATER

\* In contact with the liquid.



### – Denomination index: (example)

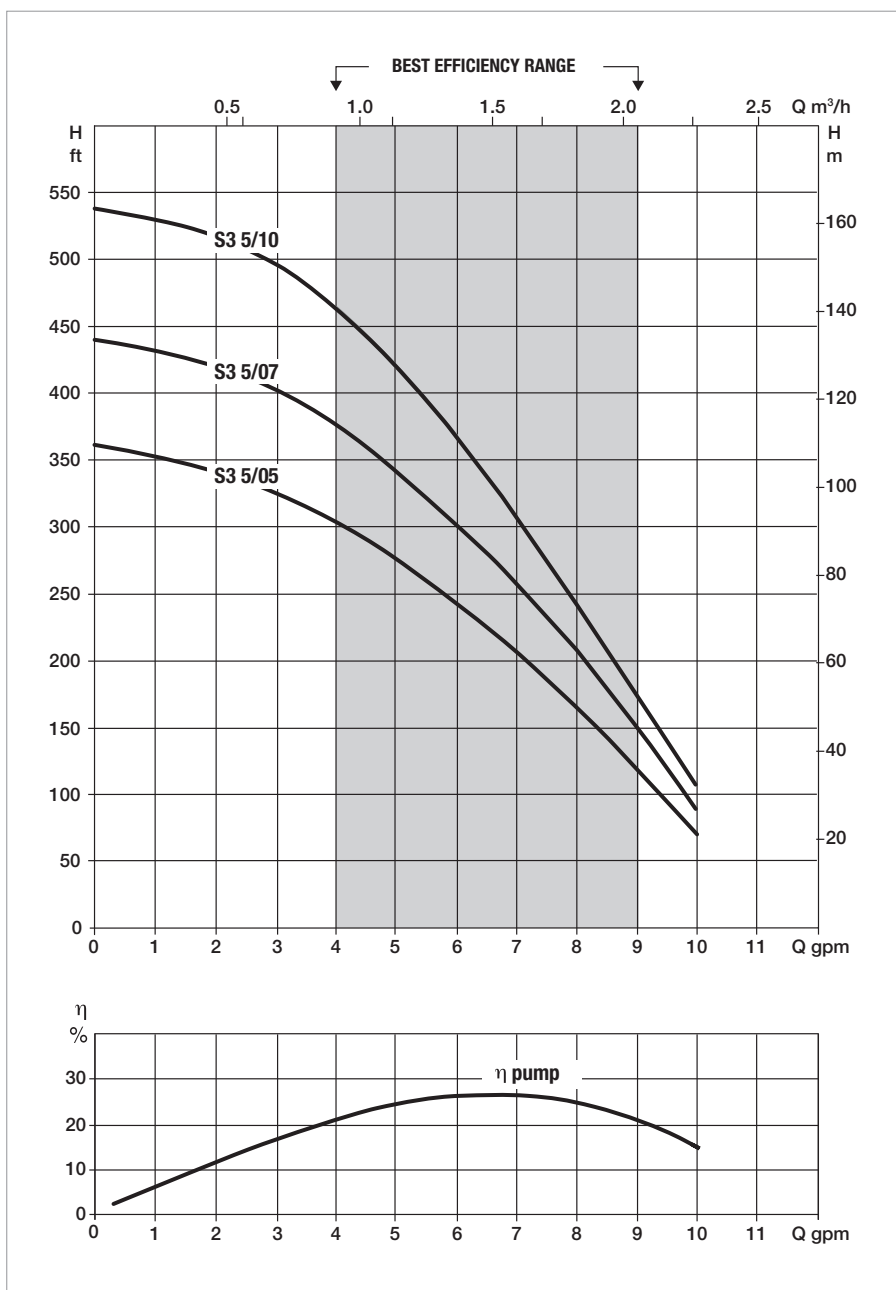
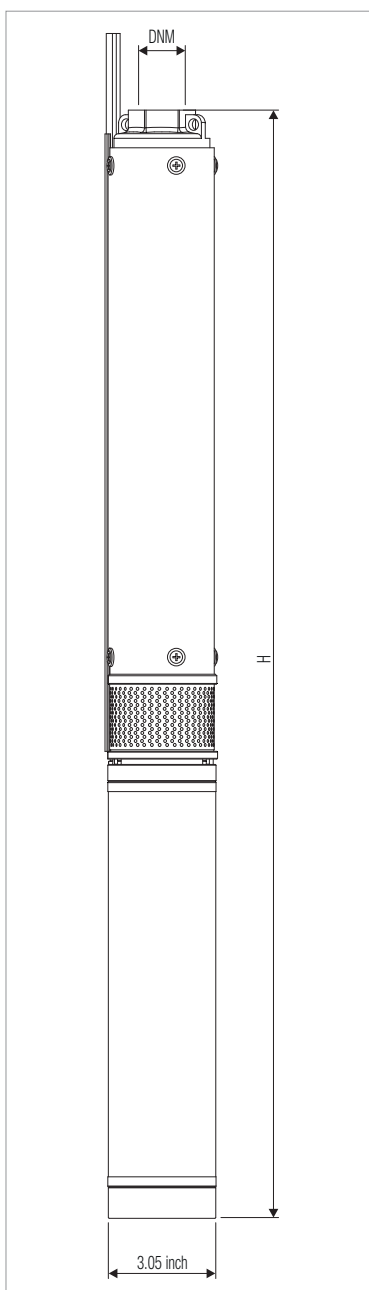


### PERFORMANCE

MODEL	ELECTRICAL DATA								HYDRAULIC DATA						
	STAGES	MOTOR TYPE	VOLTAGE	P2 NOMINAL		In A	ISF A	CAPACITOR [uF]	Q=GPM	0	2	4	6	8	10
				P2 (kW)	P2 (HP)										
S3 5/05	24	3" canned	230	0.37	0.5	4.7	6	16	H (ft)	362	342	304	244	165	70
S3 5/07	29	3" canned	230	0.55	0.75	6.1	7.0	20		440	422	375	302	208	90
S3 5/10	35	3" canned	230	0.75	1	8.3	9.8	20		538	524	464	368	242	106

### DIMENSIONS AND WEIGHT

MODEL	Ø [inch]	H [inch]	DISCH SIZE NPT	PACKING DIMENSIONS			GROSS WEIGHT (lbs)
				L/A [inch]	L/B [inch]	H PACK [inch]	
S3 5/05	3.05	52.0	1" 1/4	68.9	6.7	5.9	38
S3 5/07	3.05	60.3	1" 1/4	80.7	6.7	5.9	42
S3 5/10	3.05	68.8	1" 1/4	80.7	6.7	5.9	47



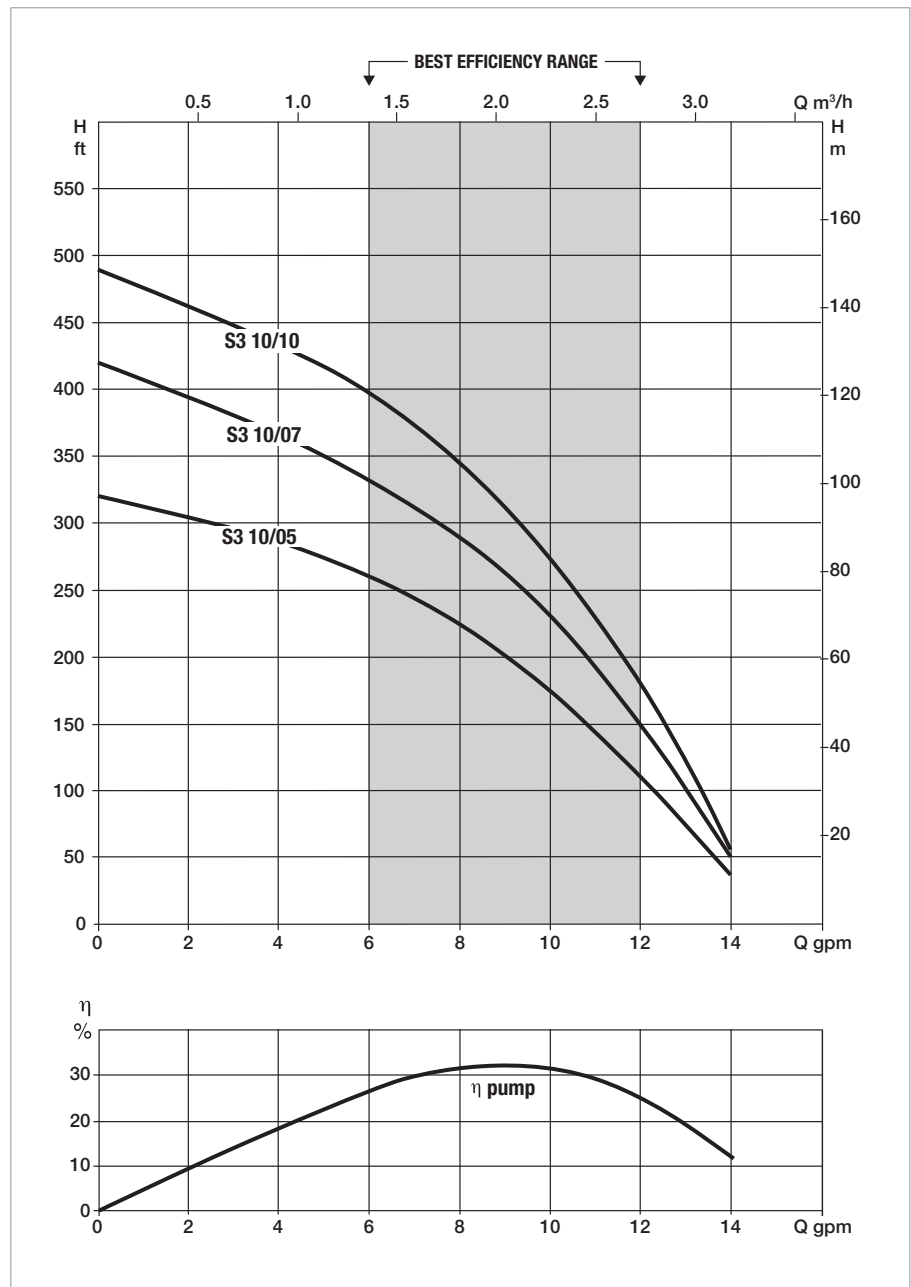
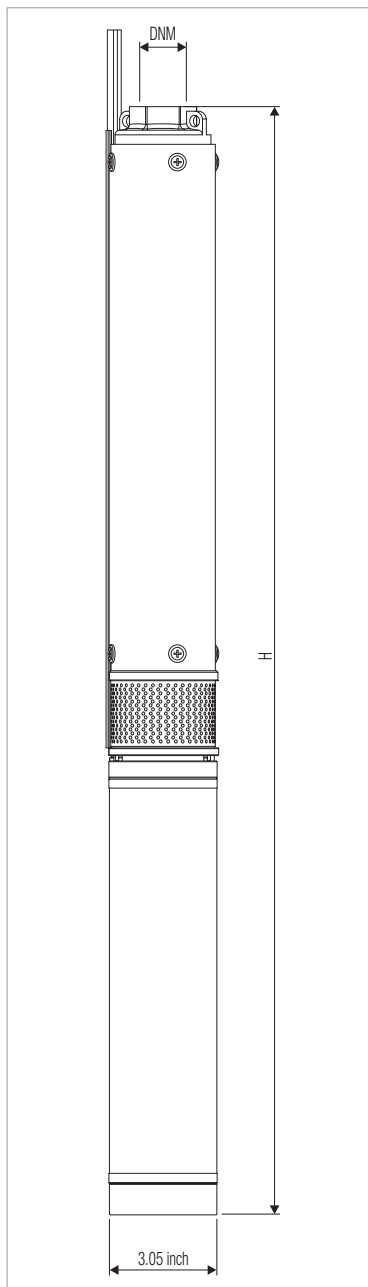
Curve tolerance according to ISO 9906

### PERFORMANCE

MODEL	ELECTRICAL DATA								HYDRAULIC DATA								
	STAGES	MOTOR TYPE	VOLTAGE	P2 NOMINAL		In A	ISF A	CAPACITOR [uF]	Q=GPM	0	2	4	6	8	10	12	14
				P2 (kW)	P2 (HP)												
S3 10/05	21	3" canned	230	0.37	0.5	4.7	6	16	H (ft)	320	304	286	260	224	174	110	36
S3 10/07	27	3" canned	230	0.55	0.75	6.1	7.0	20		420	394	366	334	290	230	150	50
S3 10/10	31	3" canned	230	0.75	1	8.3	9.8	20		490	462	436	400	348	270	180	60

### DIMENSIONS AND WEIGHT

MODEL	Ø [inch]	H [inch]	DISCH SIZE NPT	PACKING DIMENSIONS			GROSS WEIGHT (lbs)
				L/A [inch]	L/B [inch]	H PACK [inch]	
S3 10/05	3.05	48.9	1" 1/4	68.9	6.7	5.9	37
S3 10/07	3.05	58.2	1" 1/4	80.7	6.7	5.9	42
S3 10/10	3.05	64.7	1" 1/4	80.7	6.7	5.9	46



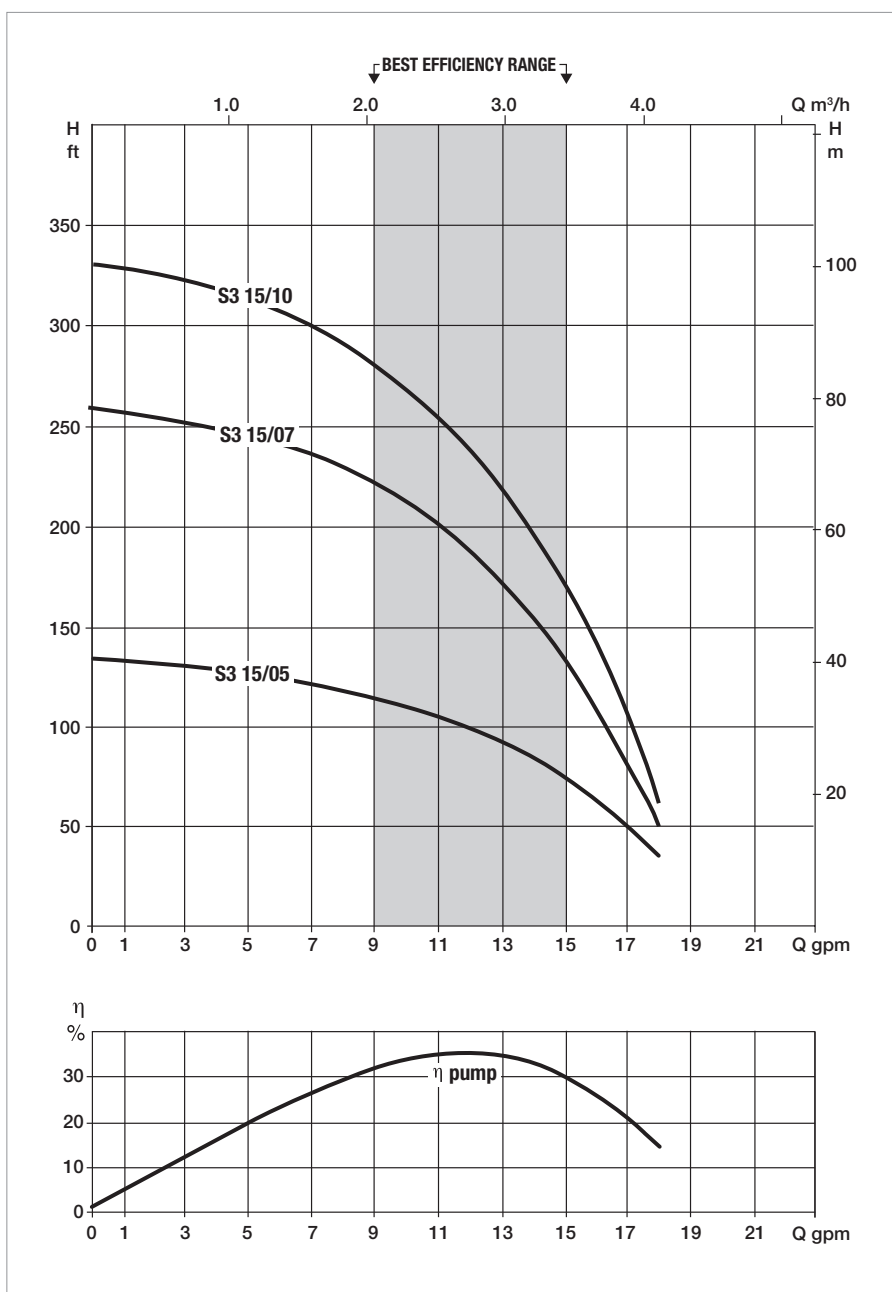
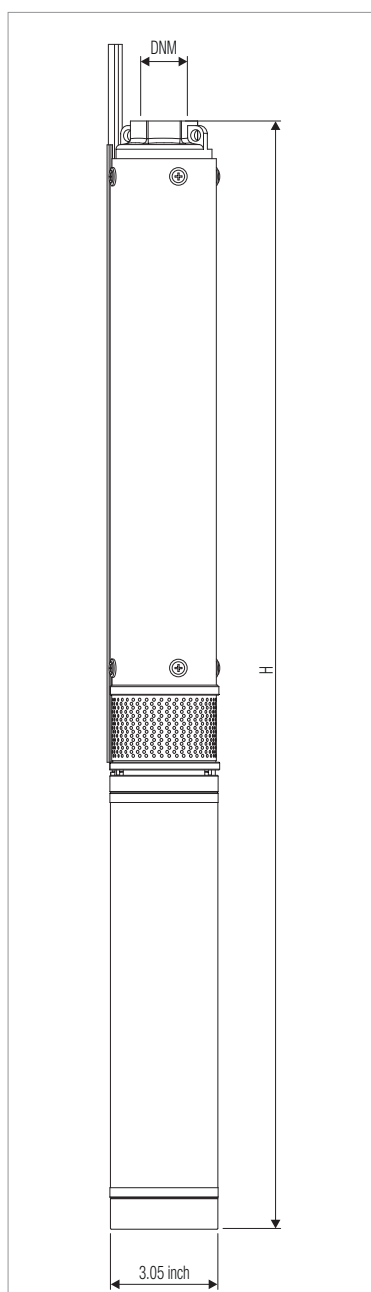
Curve tolerance according to ISO 9906

### PERFORMANCE

MODEL	ELECTRICAL DATA								HYDRAULIC DATA										
	STAGES	MOTOR TYPE	VOLTAGE	P2 NOMINAL		In A	ISF A	CAPACITOR [uF]	Q=GPM	0	2	4	6	8	10	12	14	16	18
				P2 (kW)	P2 (HP)														
S3 15/05	8	3" canned	230	0.37	0.5	4.7	6	16	H (ft)	134	132	130	125	118	110	98	84	64	35
S3 15/07	16	3" canned	230	0.55	0.75	6.1	7.0	20		260	258	250	242	230	212	188	154	110	52
S3 15/10	21	3" canned	230	0.75	1	8.3	9.8	20		332	330	320	310	292	268	236	194	138	60

### DIMENSIONS AND WEIGHT

MODEL	Ø [inch]	H [inch]	DISCH SIZE NPT	PACKING DIMENSIONS			GROSS WEIGHT (lbs)
				L/A [inch]	L/B [inch]	H PACK [inch]	
S3 15/05	3.05	34.1	1" 1/4	68.9	6.7	5.9	33
S3 15/07	3.05	43.8	1" 1/4	68.9	6.7	5.9	38
S3 15/10	3.05	52.9	1" 1/4	68.9	6.7	5.9	43



Curve tolerance according to ISO 9906



# DNA<sup>®</sup>

PUMPS SELECTOR



## On-line product selection

 **DAB PUMPS LTD.**  
6 Gilbert Court  
Newcomen Way  
Severalls Business Park  
Colchester  
Essex  
CO4 9WN - UK  
salesuk@dwtgroup.com  
Tel. +44 0333 777 5010

 **DAB PUMPS IBERICA S.L.**  
Calle Verano 18-20-22  
28850 - Torrejón de Ardoz - Madrid  
Spain  
Info.spain@dwtgroup.com  
Tel. +34 91 6569545  
Fax: + 34 91 6569676

 **DAB PUMPS SOUTH AFRICA (PTY) LTD**  
Twenty One industrial Estate,  
16 Purlin Street, Unit B, Warehouse 4  
Olifantsfontein -1666 - South Africa  
info.sa@dwtgroup.com  
Tel. +27 12 361 3997

 **DAB PUMPS (QINGDAO) CO. LTD.**  
No.40 Kaituo Road, Qingdao Economic & Technological  
Development Zone  
Qingdao City, Shandong Province - China  
PC: 266500  
sales.cn@dwtgroup.com  
Tel. +86 400 186 8280  
Fax +86 53286812210

 **DAB PUMPS BV**  
"tHofveld 6 C1  
1702 Groot Bijgaarden - Belgium  
info.belgium@dwtgroup.com  
Tel. +32 2 4668353

 **DAB PUMPS HUNGARY KFT.**  
H-8800  
Nagykanizsa, Buda Erő u.5  
Hungary  
Tel. +36 93501700

 **DAB PUMPS POLAND Sp. z o.o.**  
Ul. Janka Muzykanta 60  
02-188 Warszawa - Poland  
polska@dabpumps.com.pl

 **DAB PUMPS DE MÉXICO, S.A. DE C.V.**  
Av Amsterdam 101 Local 4  
Col. Hipódromo Condesa,  
Del. Cuauhtémoc CP 06170  
Ciudad de México  
Tel. +52 55 6719 0493

 **DAB PUMPS B.V.**  
Albert Einsteinweg, 4  
5151 DL Drunen - Nederland  
info.netherlands@dwtgroup.com  
Tel. +31 416 387280  
Fax +31 416 387299

 **OOO DAB PUMPS**  
Novgorodskaya str. 1, block G  
office 308, 127247, Moscow - Russia  
info.russia@dwtgroup.com  
Tel. +7 495 122 0035  
Fax +7 495 122 0036

 **DAB PUMPS OCEANIA PTY LTD**  
426 South Gippsland Hwy,  
Dandenong South VIC 3175 - Australia  
info.oceania@dwtgroup.com  
Tel. +61 1300 378 677

 **DAB PUMPS GMBH**  
Am Nordpark 3  
D - 41069 Mönchengladbach - Germany  
info.germany@dwtgroup.com  
Tel. +49 2161 47388-0  
Fax +49 2161 47388-36

 **DAB PUMPS INC.**  
3226 Benchmark Drive  
Ladson, SC 29456 - USA  
info.usa@dwtgroup.com  
Tel. 1- 843-797-5002  
Fax 1-843-797-3366

 **PT DAB PUMPS INDONESIA**  
Satrio Tower lantai 26  
unit C-D, Jl. Prof. Dr. Satrio Kav. C4,  
Kel. Kuningan Timur, Kec. Setiabudi, Kota Adm.  
Jakarta Selatan, Prov. DKI Jakarta. - Indonesia  
Tel. +62 2129222850