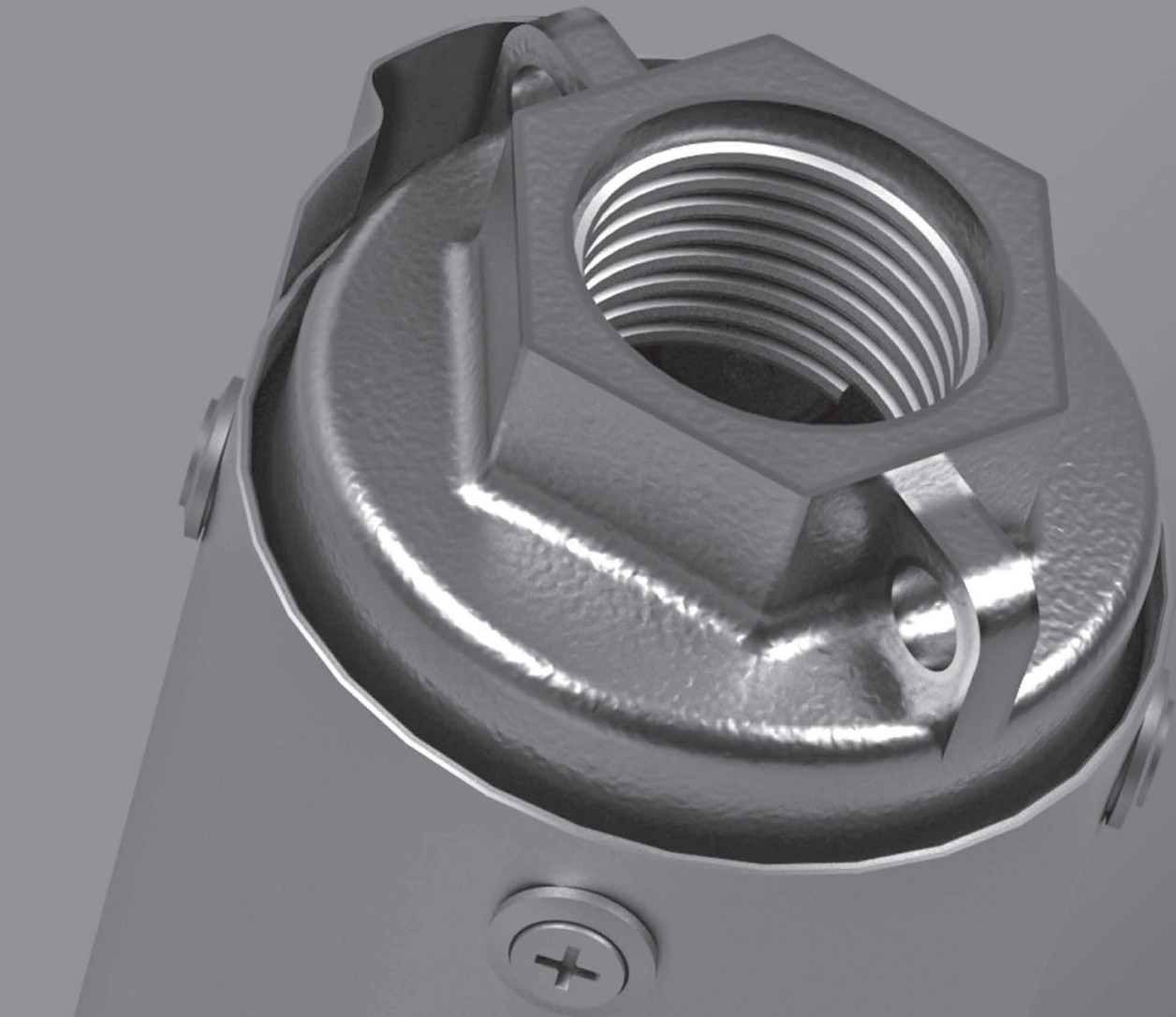


S3 60Hz

SUBMERSIBLE PUMPS AND MOTORS





TECHNICAL DATA

Flow rate maximum: from 3 GPM to 18 GPM

Head up to: 538ft

Maximum immersion depth: 490 ft

Type of pumped liquid: clean, free from solid or abrasive substances, non-viscous, non-aggressive, non-crystallized and chemically neutral.

Liquid temperature range: min 0°C/32°F - max 40°C/104°F

Delivery: 1" 1/4 NPT

Impeller/s material: technopolymer

Maximum number of starts: 20/h

Protection class: IP 68

Motor insulation class: F

Power cable (m) and plug: 5ft/1.5m

Single phase power input: 230V(±6%) 60 Hz

Three phase power input: not available

Possible type of installation: in vertical position. If it is installed in horizontal position it is necessary to ensure a minimum load on the thrust unit and the cooling sleeve.

Certification: CSA, NSF

3" submersible multi-impeller pump for 3" or larger wells for pressurization, lifting water from underground, gardening and irrigation activities in residential building service. Ready-to-use pump.

CONSTRUCTION FEATURES OF THE PUMP

Technopolymer impellers housed with stainless steel adjustment rings. Pump liner, shaft, coupling with motor, integrated suction filter and cable guard are in stainless steel. Suction and delivery supports in micro-cast AISI 304 stainless steel. Removable built-in non-return valve in technopolymer. Technopolymer impellers. NSF61 approved.

CONSTRUCTION FEATURES OF THE MOTOR

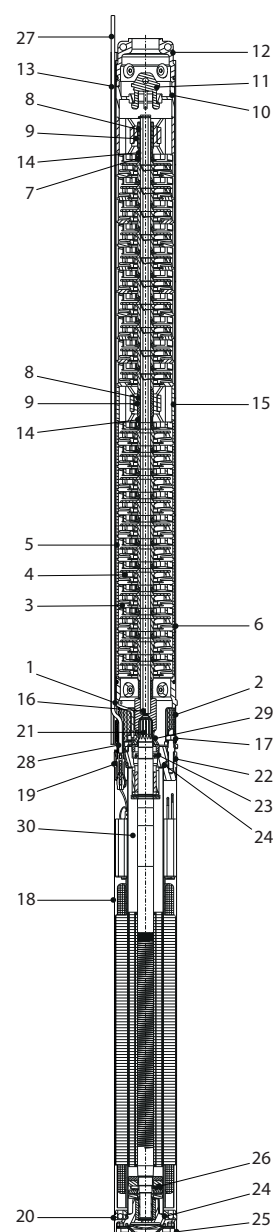
Two-pole asynchronous motor completely made of AISI 304 stainless steel. Two wire version. The thrust block and bushes are cooled and lubricated with a mixture of water and glycol. Rotor mounted on a Kingsbury type self-centering thrust block capable of withstanding high axial loads. The stator is immersed in thermosetting insulating resin with high heat dissipation capacity and encapsulated in an airtight AISI 304 stainless steel casing.

Removable cable connector CSA approved.

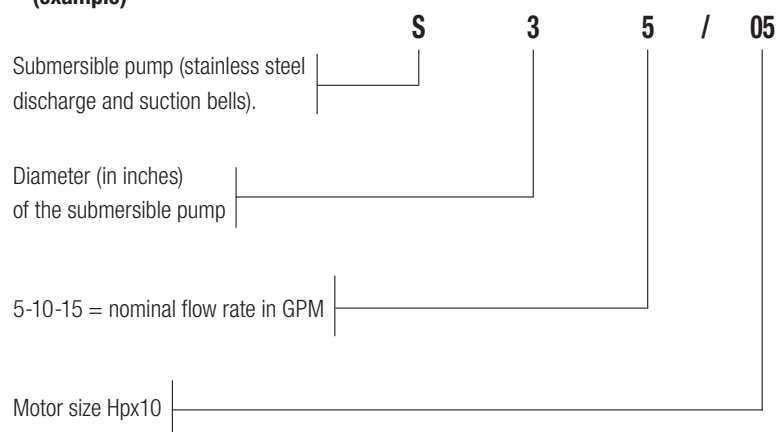
MATERIALS

N°	PART*	MATERIALS
PUMP		
1	LOWER SUPPORT*	PRECISION-CAST STAINLESS STEEL AISI 304
2	FILTER*	STAINLESS STEEL AISI 304
3	STAGE HOUSING*	PPE + PS 20GF WITH WEARING RING AISI 304
4	IMPELLER*	PPE + PS 20GF
5	DIFFUSER*	PPE + PS 20GF
6	OUTER SLEEVE*	STAINLESS STEEL AISI 304
7	WEARING GASKET*	TPU RUBBER
8	SHAFT SLEEVE*	STAINLESS STEEL AISI 304
9	BUSH BEARING*	TPU RUBBER
10	UPPER SUPPORT*	PPE + PS 20GF
11	NON-RETURN VALVE*	PPE + PS 20GF
12	DELIVERY PORT*	PRECISION-CAST STAINLESS STEEL AISI 304
13	CABLE GUARD*	STAINLESS STEEL AISI 304
14	INTERMEDIATE SHAFT SLEEVE*	STAINLESS STEEL AISI 304
15	INTERMEDIATE SUPPORT*	PPE + PS 20GF
16	SHAFT WITH COUPLING*	STAINLESS STEEL AISI 304
MOTOR		
17	SCREWS*	STAINLESS STEEL AISI 304
18	OUTER SLEEVE*	STAINLESS STEEL AISI 304
19	UPPER STATOR FLANGE*	STAINLESS STEEL AISI 304
20	LOWER STATOR FLANGE*	STAINLESS STEEL AISI 304
21	MOTOR SHAFT END*	STAINLESS STEEL AISI 304
22	UPPER MOTOR SUPPORT*	STAINLESS STEEL AISI 304
23	LIP SEAL*	NBR
24	GASKET*	NBR
25	LOWER MOTOR SUPPORT*	STAINLESS STEEL AISI 304
26	THRUST BEARING MOTOR	STAINLESS STEEL-GRAPHITE
27	CABLE*	EPDM
28	CONNECTING PLUG*	STAINLESS STEEL AISI 304
29	SAND GUARD*	NBR
30	COOLING LIQUID	ANTIFREEZE + WATER

* In contact with the liquid.



– Denomination index: (example)

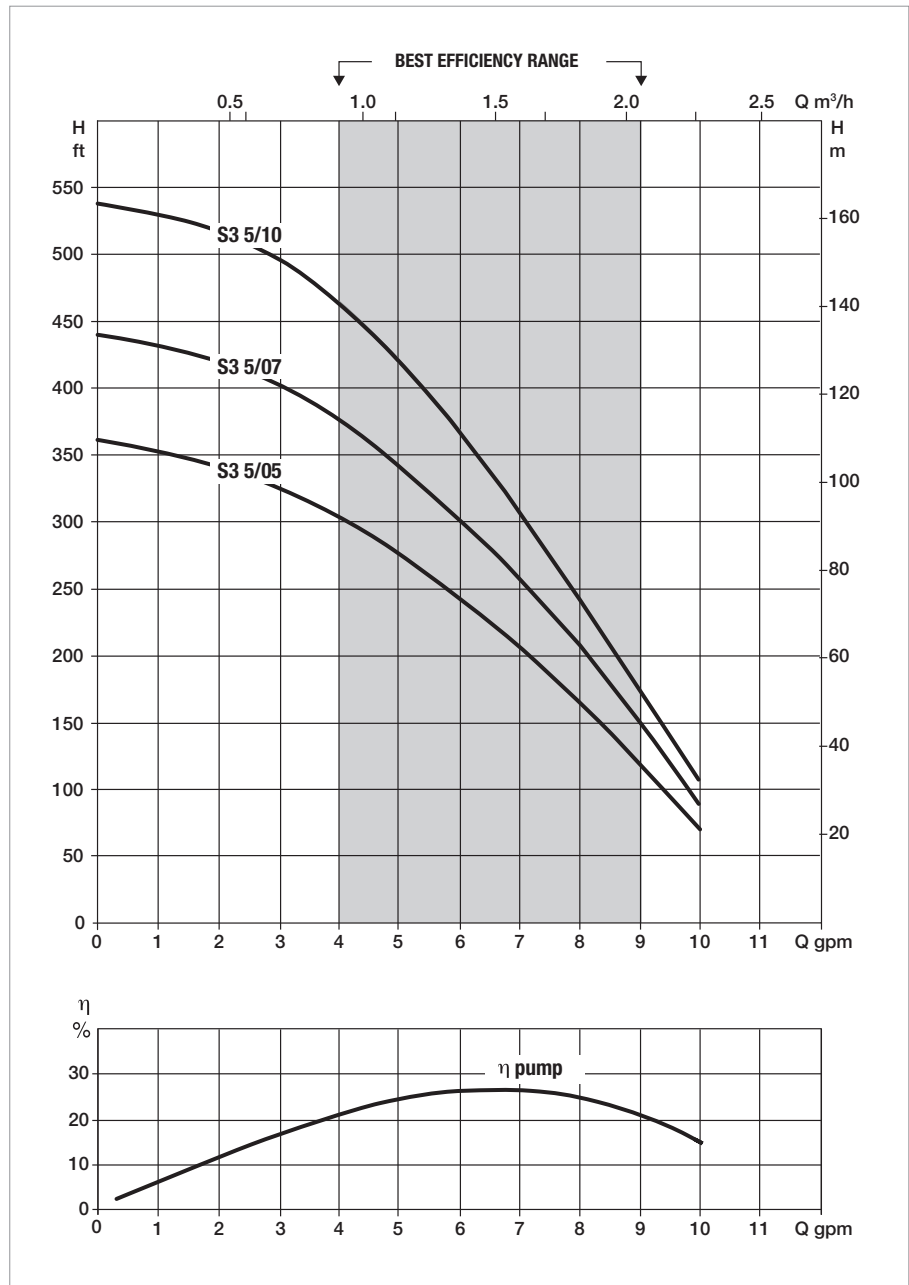
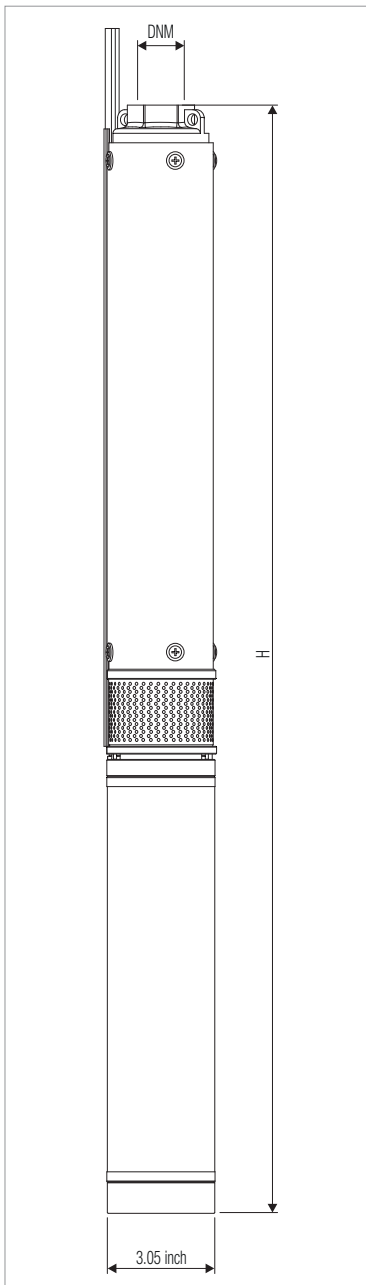


PERFORMANCE

MODEL	ELECTRICAL DATA								HYDRAULIC DATA						
	STAGES	MOTOR TYPE	VOLTAGE	P2 NOMINAL		In A	ISF A	CAPACITOR [uF]	Q=GPM	0	2	4	6	8	10
				P2 (kW)	P2 (HP)										
S3 5/05	24	3" canned	230	0.37	0.5	4.7	6	16	H (ft)	362	342	304	244	165	70
S3 5/07	29	3" canned	230	0.55	0.75	6.1	7.0	20		440	422	375	302	208	90
S3 5/10	35	3" canned	230	0.75	1	8.3	9.8	20		538	524	464	368	242	106

DIMENSIONS AND WEIGHT

MODEL	Ø [inch]	H [inch]	DISCH SIZE NPT	PACKING DIMENSIONS			GROSS WEIGHT (lbs)
				L/A [inch]	L/B [inch]	H PACK [inch]	
S3 5/05	2.91	52.0	1" 1/4	68.9	6.7	5.9	38
S3 5/07	2.91	60.3	1" 1/4	80.7	6.7	5.9	42
S3 5/10	2.91	68.8	1" 1/4	80.7	6.7	5.9	47



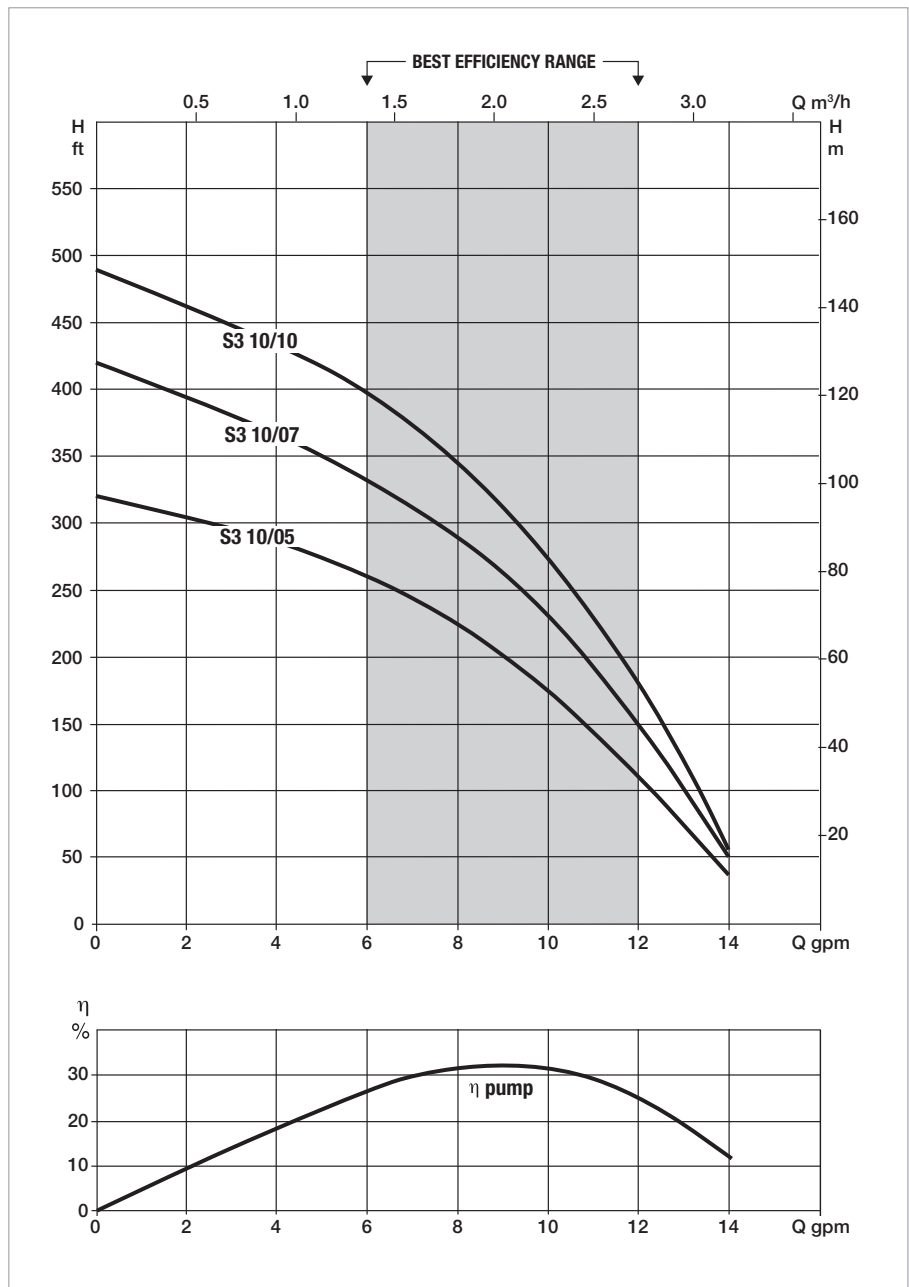
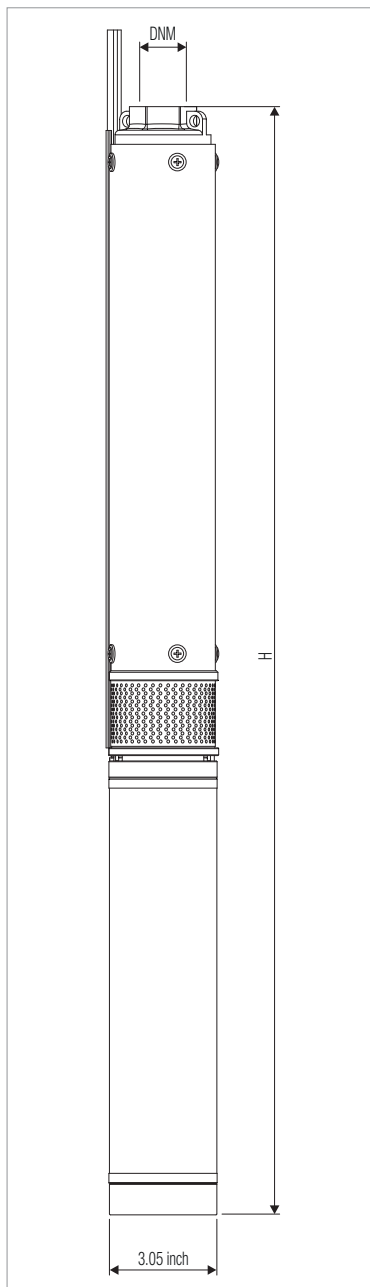
Curve tolerance according to ISO 9906

PERFORMANCE

MODEL	ELECTRICAL DATA								HYDRAULIC DATA								
	STAGES	MOTOR TYPE	VOLTAGE	P2 NOMINAL		In A	ISF A	CAPACITOR [uF]	Q=GPM	0	2	4	6	8	10	12	14
				P2 (kW)	P2 (HP)												
S3 10/05	21	3" canned	230	0.37	0.5	4.7	6	16	H (ft)	320	304	286	260	224	174	110	36
S3 10/07	27	3" canned	230	0.55	0.75	6.1	7.0	20		420	394	366	334	290	230	150	50
S3 10/10	31	3" canned	230	0.75	1	8.3	9.8	20		490	462	436	400	348	270	180	60

DIMENSIONS AND WEIGHT

MODEL	Ø [inch]	H [inch]	DISCH SIZE NPT	PACKING DIMENSIONS			GROSS WEIGHT (lbs)
				L/A [inch]	L/B [inch]	H PACK [inch]	
S3 10/05	2.91	48.9	1" 1/4	68.9	6.7	5.9	37
S3 10/07	2.91	58.2	1" 1/4	80.7	6.7	5.9	42
S3 10/10	2.91	64.7	1" 1/4	80.7	6.7	5.9	46



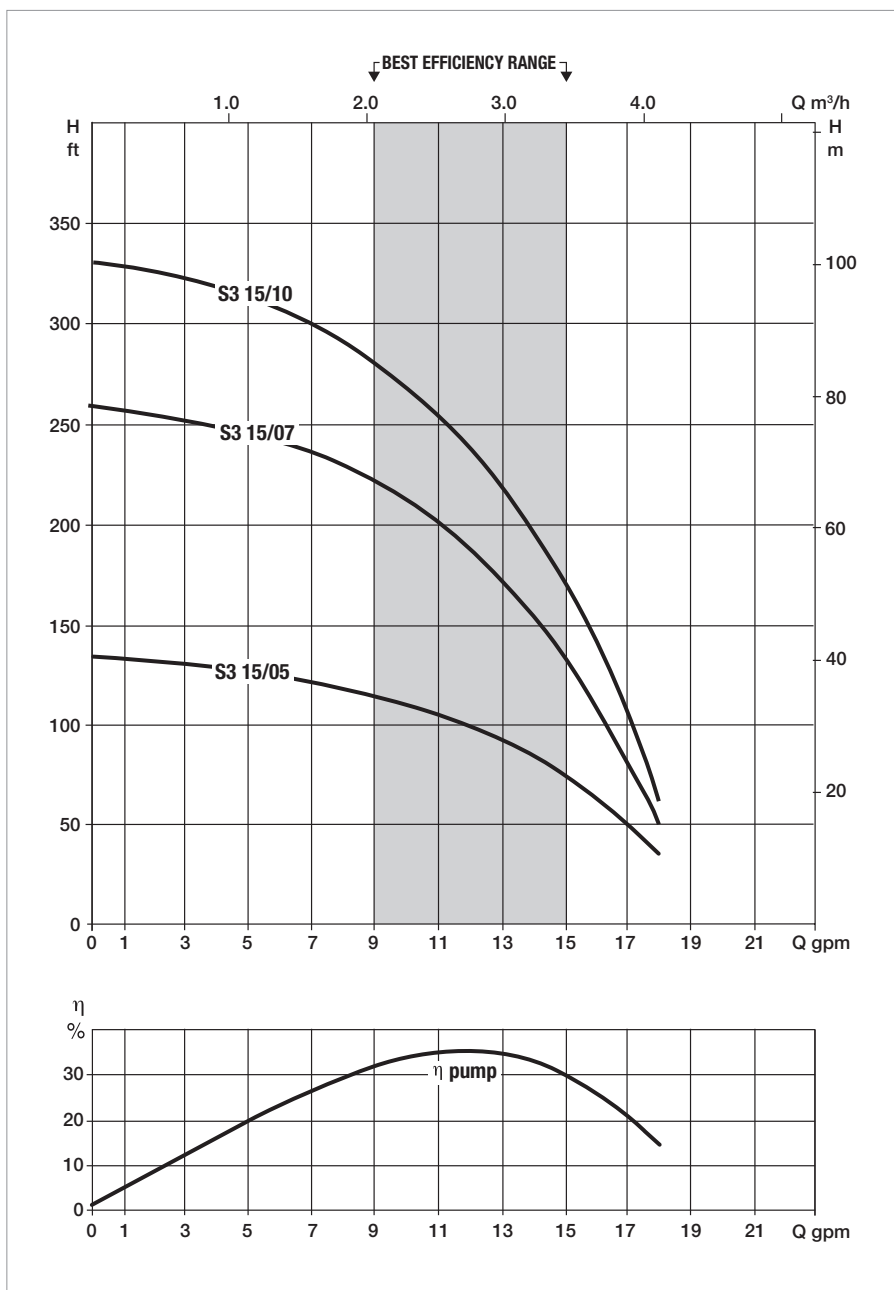
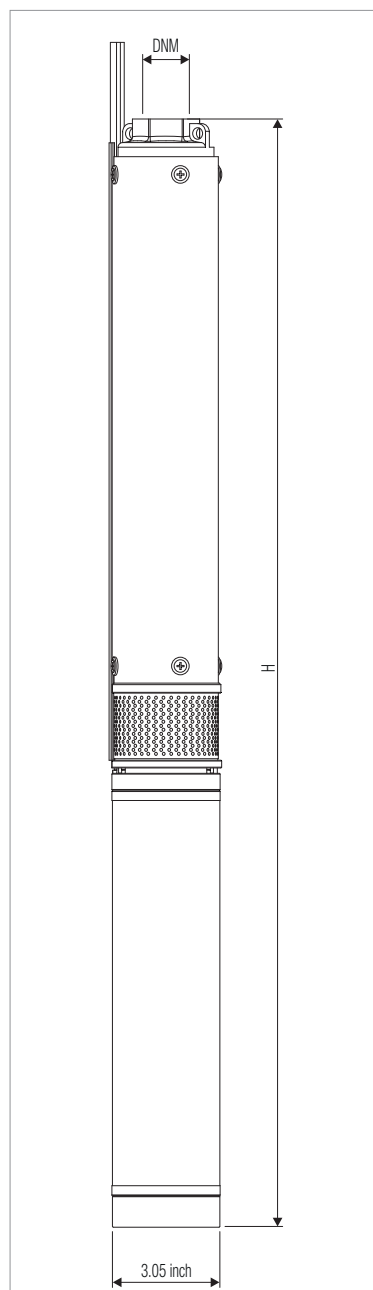
Curve tolerance according to ISO 9906

PERFORMANCE

MODEL	ELECTRICAL DATA								HYDRAULIC DATA											
	STAGES	MOTOR TYPE	VOLTAGE	P2 NOMINAL		In A	ISF A	CAPACITOR [uF]	Q=GPM	H (ft)	0	2	4	6	8	10	12	14	16	18
				P2 (kW)	P2 (HP)															
S3 15/05	8	3" canned	230	0.37	0.5	4.7	6	16	H (ft)	134	132	130	125	118	110	98	84	64	35	
S3 15/07	16	3" canned	230	0.55	0.75	6.1	7.0	20		260	258	250	242	230	212	188	154	110	52	
S3 15/10	21	3" canned	230	0.75	1	8.3	9.8	20		332	330	320	310	292	268	236	194	138	60	

DIMENSIONS AND WEIGHT

MODEL	Ø [inch]	H [inch]	DISCH SIZE NPT	PACKING DIMENSIONS			GROSS WEIGHT (lbs)
				L/A [inch]	L/B [inch]	H PACK [inch]	
S3 15/05	2.91	34.1	1" 1/4	68.9	6.7	5.9	33
S3 15/07	2.91	43.8	1" 1/4	68.9	6.7	5.9	38
S3 15/10	2.91	52.9	1" 1/4	68.9	6.7	5.9	43



Curve tolerance according to ISO 9906

DNA[®]

PUMPS SELECTOR



On-line product selection

 **DAB PUMPS LTD.**
6 Gilbert Court
Newcomen Way
Severalls Business Park
Colchester
Essex
CO4 9WN - UK
salesuk@dwtgroup.com
Tel. +44 0333 777 5010

 **DAB PUMPS IBERICA S.L.**
Calle Verano 18-20-22
28850 - Torrejón de Ardoz - Madrid
Spain
Info.spain@dwtgroup.com
Tel. +34 91 6569545
Fax: + 34 91 6569676

 **DAB PUMPS SOUTH AFRICA (PTY) LTD**
Twenty One industrial Estate,
16 Purlin Street, Unit B, Warehouse 4
Olifantsfontein -1666 - South Africa
info.sa@dwtgroup.com
Tel. +27 12 361 3997

 **DAB PUMPS (QINGDAO) CO. LTD.**
No.40 Kaituo Road, Qingdao Economic & Technological
Development Zone
Qingdao City, Shandong Province - China
PC: 266500
sales.cn@dwtgroup.com
Tel. +86 400 186 8280
Fax +86 53286812210

 **DAB PUMPS BV**
"tHofveld 6 C1
1702 Groot Bijgaarden - Belgium
info.belgium@dwtgroup.com
Tel. +32 2 4668353

 **DAB PUMPS HUNGARY KFT.**
H-8800
Nagykanizsa, Buda Erő u.5
Hungary
Tel. +36 93501700

 **DAB PUMPS POLAND Sp. z o.o.**
Ul. Janka Muzykanta 60
02-188 Warszawa - Poland
polska@dabpumps.com.pl

 **DAB PUMPS DE MÉXICO, S.A. DE C.V.**
Av Amsterdam 101 Local 4
Col. Hipódromo Condesa,
Del. Cuauhtémoc CP 06170
Ciudad de México
Tel. +52 55 6719 0493

 **DAB PUMPS B.V.**
Albert Einsteinweg, 4
5151 DL Drunen - Nederland
info.netherlands@dwtgroup.com
Tel. +31 416 387280
Fax +31 416 387299

 **OOO DAB PUMPS**
Novgorodskaya str. 1, block G
office 308, 127247, Moscow - Russia
info.russia@dwtgroup.com
Tel. +7 495 122 0035
Fax +7 495 122 0036

 **DAB PUMPS OCEANIA PTY LTD**
426 South Gippsland Hwy,
Dandenong South VIC 3175 - Australia
info.oceania@dwtgroup.com
Tel. +61 1300 378 677

 **DAB PUMPS GMBH**
Am Nordpark 3
D - 41069 Mönchengladbach - Germany
info.germany@dwtgroup.com
Tel. +49 2161 47388-0
Fax +49 2161 47388-36

 **DAB PUMPS INC.**
3226 Benchmark Drive
Ladson, SC 29456 - USA
info.usa@dwtgroup.com
Tel. 1- 843-797-5002
Fax 1-843-797-3366

 **PT DAB PUMPS INDONESIA**
Satrio Tower lantai 26
unit C-D, Jl. Prof. Dr. Satrio Kav. C4,
Kel. Kuningan Timur, Kec. Setiabudi, Kota Adm.
Jakarta Selatan, Prov. DKI Jakarta. - Indonesia
Tel. +62 2129222850